



Alemlube

GENERAL RANGE & WORKSHOP EQUIPMENT

A close-up photograph of an Alemite cordless grease gun. The device is primarily red and white, with a black handle and trigger. A white label on the side features a red oil drop icon and the text 'ALEMITE', '20 VOLT CORDLESS GREASE GUN', and 'Alemlube'. The battery pack at the bottom is black with 'ALEMITE' and 'LITHIUM 20V' printed on it. A grey hose with a metal braided section is attached to the top. The background is a solid blue color with a white dotted pattern in the center.

LUBRICATION AND GREASE TRANSFER EQUIPMENT

1.1 GREASE GUN ACCESSORY DISPLAY PACKS


Box Qty. **Suggested List Price**


A14512



A14513



A14507



B336770



B6783



A14552

| | | Box Qty. | Suggested List Price |
|----------------|--|----------|----------------------|
| *A14512 | Alemite quick release grease gun coupler | 1 | \$37.50 |
| B308730 | Alemite slim-line 3 jaw coupler | 1 | \$13.50 |
| A14513 | Alemite standard duty 4 jaw coupler | 10 | \$13.10 |
| B6304-B | Alemite heavy duty coupler | 1 | \$36.60 |
| B6509-D | Alemite heavy duty swivel coupler | 1 | \$153.50 |
| A14506 | Alemite standard button head pull-on coupler | 10 | \$57.10 |
| A14507 | Alemite standard button head push-on coupler | 10 | \$84.20 |
| B336770 | Alemite injector needle | 1 | \$25.70 |
| A200 | Alemite economy injector needle | 1 | \$13.60 |
| B6783 | Alemite needle nose adaptor | 1 | \$90.70 |
| A14509 | Alemite economy needle nose adaptor | 1 | \$34.30 |
| A14540 | Alemite R1 grease gun flex, 200mm long | 10 | \$22.60 |
| A14541 | Alemite R1 grease gun flex, 300mm long | 10 | \$25.00 |
| A14542 | Alemite R1 grease gun flex, 450mm long | 10 | \$27.30 |
| A14550 | Alemite Polyamid grease gun flex, 200mm long | 10 | \$16.70 |
| A14551 | Alemite Polyamid grease gun flex, 300mm long | 10 | \$18.00 |
| A14552 | Alemite Polyamid grease gun flex, 450mm long | 10 | \$18.70 |

1.2 CARTRIDGE GREASE GUNS



| 450g CARTRIDGE GREASE GUNS | | Box Qty. | Suggested List Price |
|----------------------------|---|----------|----------------------|
| *660ANCB | Alemlube clear barrel trigger action grease gun – 8,500psi | 12 | \$170.40 |
| 660AN | Alemlube trigger action grease gun – 8,500psi | 12 | \$117.60 |
| *600ACB | Alemlube clear barrel lever action grease gun – 12,000psi | 12 | \$112.70 |
| 600A | Alemlube lever action grease gun – 12,000psi | 12 | \$86.20 |
| *610A | Alemlube twin handle lever action grease gun with magnet – 11,200psi | 1 | \$180.20 |
| 680AN | Alemlube air operated grease gun, single shot or continuous flow – 3,920psi | 1 | \$329.00 |
| #670AN4 | Alemite 20V Lithium-Ion grease gun, continuous flow – 10,000psi | 1 | \$1,190.00 |



| 400g CARTRIDGE GREASE GUNS | | Box Qty. | Suggested List Price |
|----------------------------|---|----------|----------------------|
| 220ACB | Alemlube clear barrel trigger action grease gun - 8,500psi | 10 | \$173.50 |
| 555-E | Alemite trigger action grease gun – 7,500psi | 10 | \$157.10 |
| 220A | Alemlube trigger action grease gun – 8,500psi | 10 | \$100.70 |
| 440A | Samoa trigger action grease gun – 3,500psi | 10 | \$77.50 |
| 200ACB | Alemlube clear barrel lever action grease gun - 12,000psi | 10 | \$142.60 |
| 500 | Alemite lever action grease gun – 10,000psi | 10 | \$157.10 |
| 200A | Alemlube lever action grease gun – 12,000psi | 10 | \$68.10 |
| 400A | Samoa lever action grease gun – 8,400psi | 10 | \$42.40 |
| *410A | Alemlube twin handle lever action grease gun with magnet – 11,200psi | 1 | \$180.20 |
| 480AN | Alemlube air operated grease gun, single shot or continuous flow – 3,920psi | 1 | \$315.00 |
| #596C | Alemite 20V grease gun continuous flow – 10,000psi | 1 | \$1,097.00 |

1.3 GREASE GUN LOADER PUMPS AND ACCESSORIES

C



| | | Box Qty. | Suggested List Price |
|----------------|--|----------|----------------------|
| 108000 | Samoa loader pump – fits 20kg drum includes follower plate | 1 | \$258.60 |
| 108100 | Samoa loader pump – fits 55kg drum does not include follower plate | 1 | \$406.00 |
| 11651 | Alemlube loader pump – fits 180kg drum does not include follower plate | 1 | \$568.00 |
| B306740 | Alemite loader fitting for light greases | 1 | \$17.00 |
| B322610 | Alemite loader fitting for heavy greases | 1 | \$21.40 |
| B306741 | Alemite loader coupler | 1 | \$66.30 |

1.4 GREASE NIPPLE ASSORTMENT KITS

A



| | | Box Qty. | Suggested List Price |
|--------------|--|----------|----------------------|
| L4674 | Alemlube agricultural 120 piece grease nipple assortment kit | 4 | \$157.30 |
| L4675 | Alemlube imperial 101 piece grease nipple assortment kit | 4 | \$152.70 |
| L4676 | Alemlube metric 100 piece grease nipple assortment kit | 4 | \$137.70 |
| L4679 | Alemlube automotive 115 piece grease nipple assortment kit | 4 | \$152.70 |
| L4680 | Alemlube stainless steel 80 piece grease nipple assortment kit | 1 | \$921.00 |

D

1.5 GREASE GUN & ACCESSORIES KITS

C



| | | Box Qty. | Suggested List Price |
|-----------------|---|----------|----------------------|
| 660ANK1 | Alemlube grease gun and accessories kit with Valvoline grease cartridge | 1 | \$260.80 |
| 660ANK2 | Alemlube grease gun and accessories kit without grease cartridge | 1 | \$249.20 |
| 660ANK3 | Alemlube grease gun and accessories kit with Shell grease cartridge | 1 | \$260.80 |
| 660ANK4 | Alemlube grease gun and accessories kit Fuch grease cartridge | 1 | \$260.80 |
| *660ANK5 | Alemlube grease gun and accessories kit with Castrol grease cartridge | 1 | \$260.80 |
| *660ANP | Alemlube trigger action grease gun with carry case | 1 | \$143.50 |

1.6 POM POM GREASE GUNS



| | | C | |
|--------------|---|----------|----------------------|
| | | Box Qty. | Suggested List Price |
| 11602 | Alemlube pom pom grease gun – steel – 150g capacity | 10 | \$62.70 |
| 11302 | Alemlube pom pom grease gun – Polyamid – 110g capacity | 10 | \$36.20 |
| 7584 | Alemite pom pom grease gun – 220g capacity | 1 | \$335.00 |
| 11560 | Alemlube pom pom grease gun with handle – 200g capacity | 1 | \$41.80 |

1.7 BULKFILL GREASE GUNS



| | | C | |
|----------------|---|----------|----------------------|
| | | Box Qty. | Suggested List Price |
| 11521 | Samoa lever action grease gun – 1000g capacity | 1 | \$116.90 |
| 4015-A4 | Alemite high volume grease gun – delivers 1oz per 7 strokes | 1 | \$416.00 |
| 6268-2 | Alemite high pressure gun – 15,000psi for bulk grease and 1-1/2" diameter stick lubricant | 1 | \$1,885.00 |

1.8 GREASE GUN SWIVEL



| | | C | |
|--------------|---|----------|----------------------|
| | | Box Qty. | Suggested List Price |
| 14501 | Alemlube straight grease gun swivel 1/8" BSP (m) x 1/8" BSP (f) | 10 | \$18.50 |

1.9 GREASE GUN COUPLERS


Box Qty. **Suggested List Price**


14512

***14511** Alemite quick release grease gun coupler - 1/8" NPT 10 \$44.40

***14512** Alemite quick release grease gun coupler - 1/8" BSP 10 \$36.10


308730

308730 Alemite slim-line coupler - 14mm diameter - 3 jaw 10 \$13.50

14513 Alemite standard duty coupler - 16mm diameter - 4 jaw 10 \$11.40


14513

B6304-B Alemite heavy duty coupler - 18mm diameter 10 \$36.60

B6509-D Alemite heavy duty swivel coupler 10 \$153.50

B6509-E Alemite slim-line swivel coupler 10 \$153.50


B6509-D

42030-A Alemite standard button head pull-on coupler 10 \$110.20

14506 Alemite standard button head pull-on coupler 10 \$56.80


42030-A

42031-A Alemite standard button head push-on coupler 10 \$110.20

14507 Alemite standard button head push-on swivelling coupler 10 \$84.50


14506

304300-A Alemite giant button head coupler - pull-on 10 \$139.90

14002 Alemite giant button head coupler - pull-on 10 \$83.30

VB942 Alemite pin-type nipple coupler 10 \$109.10


14507

14500 Alemite hydraulic coupler - M10 x .75 10 \$10.70

Z737 Alemite flush type nipple coupler - 1/8" NPT 10 \$19.90


14002

14008 Alemite flush type nipple coupler - 1/8" BSP 10 \$11.50

500S Alemite flush type nipple coupler for 11302 and 11402 guns 10 \$13.80

14005 Alemite zerk nipple coupler 10 \$14.00


Z737

14505 Alemite miniature tat coupler 10 \$70.80

1.10 GREASE GUN ADAPTORS


Box Qty. **Suggested List Price**


B200

B336770 Alemite injector needle for greasing sealed bearings

1 \$25.70

B200 Alemlube economy injector needle for greasing sealed bearings

1 \$12.40



B6783

B6783 Alemite needle nose adaptor

1 \$90.70

14509 Alemlube economy needle nose adaptor

1 \$32.60



6239

6239 Alemite hydraulic to push-type adaptor

1 \$105.50



6278

6278 Alemite swivel adaptor

1 \$225.90



6279

6279 Alemite extra length adaptor – total length 55cm

1 \$153.30



6778

6778 Alemite rigid/flexible adaptor

1 \$193.50

B203 Alemlube adaptor – 90° with coupler

1 \$89.40



340004

340004 Alemite bearing cleaner

1 \$96.90


DID YOU KNOW

The Alemlube 660AN trigger action grease gun, delivers high volume or high pressure greasing.

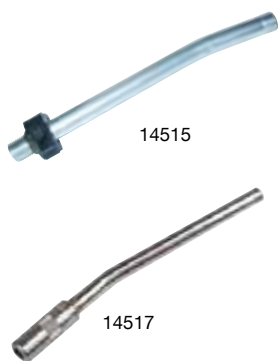
On the high volume setting, the gun can deliver 1.1g of grease per stroke and on the high pressure setting, pressure of up to 8,500psi. The one hand operation makes convenient and light work of your day to day greasing applications. The "Twin Lock" system in the gun head assembly ensures that when a grease nipple is blocked, grease can't bypass the piston, thus eliminating the problem of dummy lubrication. The coarse thread on the barrel assembly eliminates the chance of cross threading during cartridge change over.

1.11 GREASE GUN FLEXIBLE EXTENSIONS



| | | Box Qty. | Suggested List Price |
|-------|--|----------|----------------------|
| 14540 | Alemlube 200mm long - single wire, min. burst pressure – 12,600psi | 10 | \$20.40 |
| 14541 | Alemlube 330mm long - single wire, min. burst pressure – 12,600psi | 10 | \$23.50 |
| 14542 | Alemlube 460mm long - single wire, min. burst pressure – 12,600psi | 10 | \$25.90 |
| 14543 | Alemlube 700mm long - single wire, min. burst pressure – 12,600psi | 10 | \$35.60 |
| 14550 | Alemlube 200mm long - Polyamid, min. burst pressure – 14,500psi | 10 | \$14.70 |
| 14551 | Alemlube 300mm long - Polyamid, min. burst pressure – 14,500psi | 10 | \$15.90 |
| 14552 | Alemlube 520mm long - Polyamid, min. burst pressure – 14,500psi | 10 | \$16.50 |
| 14553 | Alemlube 700mm long - Polyamid, min. burst pressure – 14,500psi | 10 | \$26.60 |

1.12 GREASE GUN RIGID EXTENSIONS



| | | Box Qty. | Suggested List Price |
|-------|--|----------|----------------------|
| 14515 | Alemlube rigid outlet with lock nut | 1 | \$6.00 |
| 14517 | Alemlube rigid outlet complete with 308730 coupler | 1 | \$24.60 |
| 14518 | Alemlube rigid outlet complete with 14513 coupler | 1 | \$17.70 |
| 14519 | Alemlube rigid outlet complete with 6304-B coupler | 1 | \$37.90 |



i DID YOU KNOW

The 660ANK1 and 660ANK2 450g grease gun & accessories kits provide an all-in-one greasing solution for in the field and general workshop applications. Offering convenient, contamination free storage of components when not in use, the kit comprises a 660AN trigger action grease gun, 90° adaptor with coupler, injector needle, needle hose adaptor, 3 jaw coupler and 450g grease cartridge (included in the 660ANK1) all contained securely in a sturdy, heavy duty carry case. The 660ANK2 includes all items except the 450g grease cartridge.

Satisfying a wide range of greasing applications including difficult to access lube points and sealed bearings, the Alemlube 450g grease gun & accessory kits facilitate quick and effortless greasing, on demand.

1.13 GREASE INJECTORS AND MANIFOLD KITS

D

Box Qty. Suggested List Price



41250080021



41250084221

| | | | |
|-------------|---|---|----------|
| 41250080021 | Beka BL-1 Series replacement grease injector | 1 | \$153.90 |
| 41250081221 | Beka BL-1 Series one stage grease injector manifold | 1 | \$242.70 |
| 41250082221 | Beka BL-1 Series two stage grease injector manifold | 1 | \$345.00 |
| 41250083221 | Beka BL-1 Series three stage grease injector manifold | 1 | \$476.00 |
| 41250084221 | Beka BL-1 Series four stage grease injector manifold | 1 | \$619.00 |
| 41250085221 | Beka BL-1 Series five stage grease injector manifold | 1 | \$759.00 |
| 41250086221 | Beka BL-1 Series six stage grease injector manifold | 1 | \$886.00 |

1.14 MANUAL GREASE KITS

C

Box Qty. Suggested List Price



6336N



7337



7531-A4



7538-4BKC



108501

| | | | |
|------------|--|---|----------|
| #6336N | Alemlube 2.5kg spring operated grease kit – 10,000psi | 1 | \$316.00 |
| 7337 | Alemlube 20kg spring operated grease kit – 10,000psi | 1 | \$586.00 |
| 7531-A4 | Alemite lever action 20kg grease pump with drum cover follower plate, hose and coupler | 1 | \$822.00 |
| 7538-20BKC | Alemite lever action 20kg grease kit for refilling lube system pump reservoirs | 1 | \$593.00 |
| 108501 | Samoa lever action 20kg grease kit for refilling lube system pump reservoir | 1 | \$346.00 |

1.15 PORTABLE GREASE BUCKET PUMPS

C



Box Qty. Suggested List Price

| | | | |
|----------------|---|---|------------|
| 7149-4 | Alemite multi-pressure grease bucket pump w/o hose and coupler – 2,500psi / 5,000psi | 1 | \$1,239.00 |
| 7149-A4 | Alemite multi-pressure grease bucket pump with hose and coupler – 2,500psi / 5,000psi | 1 | \$1,331.00 |
| 6712-4 | Alemite high pressure grease bucket pump – 7,000psi | 1 | \$2,809.00 |
| 6713-4 | Alemite high pressure grease bucket pump – 15,000psi | 1 | \$2,809.00 |
| *8338 | Alemlube foot operated grease bucket pump – 10,000psi | 1 | \$664.00 |

1.16 AIR OPERATED GREASE TRANSFER PUMPS

D



Box Qty. Suggested List Price

| | | | |
|-----------------|--|---|------------|
| 7735SP | Alemite 10:1 ratio transfer pump for 180kg drum – 33 kg/min | 1 | \$6,835.00 |
| 7736SP | Alemite 11:1 ratio transfer pump for 180kg drum – 39 kg/min | 1 | \$6,799.00 |
| 7835-DTR | Alemite 5:1 ratio pump for 180kg drum – 15 kg/min | 1 | \$5,341.00 |
| 7735 | Alemite 10:1 ratio pump for bulk grease hoppers – 33 kg/min | 1 | \$5,984.00 |
| 7736 | Alemite 11:1 ratio pump for bulk grease hoppers – 39 kg/min | 1 | \$5,878.00 |
| *532130 | Samoa 12:1 ratio pump for bulk grease hoppers – 40 kg/min | 1 | \$4,869.00 |
| 9950-C1 | Alemite 50:1 ratio transfer pump for mobile equipment and auto lube systems – 2.1 kg/min | 1 | \$1,666.00 |

1.17 AIR OPERATED GREASE KITS



| 20kg GREASE KITS | | Box Qty. | Suggested List Price |
|------------------|--|----------|----------------------|
| 9911H | Alemite 20kg grease kit with carry handle | 1 | \$1,857.00 |
| 423020 | Samoa 60:1 ratio heavy duty grease kit with carry handle | 1 | \$1,414.00 |
| 424170 | Samoa 55:1 ratio 20kg standard duty grease kit with carry handle | 1 | \$1,141.00 |
| 9911T | Alemite 20kg grease kit with trolley | 1 | \$1,985.00 |
| 424150 | Samoa 20kg grease kit with trolley | 1 | \$1,229.00 |



| 55kg GREASE KITS | | Box Qty. | Suggested List Price |
|------------------|---|----------|----------------------|
| 9910H | Alemite 55kg grease kit without trolley | 1 | \$2,235.00 |
| 425170 | Samoa 55kg grease kit without trolley | 1 | \$1,476.00 |
| 9910T | Alemite 55kg grease kit with trolley | 1 | \$2,364.00 |
| 425150 | Samoa 55kg grease kit with trolley | 1 | \$1,565.00 |



| 180kg GREASE KITS | | Box Qty. | Suggested List Price |
|-------------------|--|----------|----------------------|
| 9979H | Alemite 180kg grease kit without dolly | 1 | \$2,728.00 |
| 428262 | Samoa 180kg grease kit without dolly | 1 | \$1,666.00 |
| 9979D | Alemite 180kg grease kit with dolly | 1 | \$3,262.00 |
| 428263 | Samoa 180kg grease kit with dolly | 1 | \$2,213.00 |
| 9979T | Alemite 180kg grease kit with trolley | 1 | \$3,622.00 |
| 428242 | Samoa 180kg grease kit with trolley | 1 | \$2,525.00 |

*Drums not included

1.18 ELECTRICALLY OPERATED GREASE KITS



| | | D | Box Qty. | Suggested List Price |
|------------------|---------------------------------|----------|----------|----------------------|
| KPL-24EX | Alemlube 20kg grease kit – 24V | | 1 | \$5,372.00 |
| EPL-240SP | Alemlube 20kg grease kit – 240V | | 1 | \$5,587.00 |

• 20kg pails not included

1.19 HEAVY DUTY MOBILE GREASE KITS



| | | D | Box Qty. | Suggested List Price |
|----------------|--|----------|----------|----------------------|
| 453055 | Samoa 55kg grease kit with hose reel | | 1 | \$3,951.00 |
| #428200 | Samoa 180kg grease kit with hose reel | | 1 | \$4,467.00 |
| *223003 | Alemlube 180kg grease kit with hose reel | | 1 | \$2,833.00 |

1.20 STANDARD DUTY AIR AND HYDRAULICALLY OPERATED GREASE PUMPS



| 20kg GREASE PUMPS WITH DRUM COVER & FOLLOWER PLATE | | D | Box Qty. | Suggested List Price |
|--|--------------------------------------|----------|----------|----------------------|
| 8540-B-20 | Alemite Super 'H' 70:1 ratio pump | | 1 | \$3,216.00 |
| 9940-20 | Alemite RAM 70:1 ratio pump | | 1 | \$2,783.00 |
| 8550-B-20 | Alemite Standard 'H' 50:1 ratio pump | | 1 | \$2,834.00 |
| 9950-20 | Alemite RAM 50:1 ratio pump | | 1 | \$1,948.00 |
| 404101 | Samoa PM3 series 55:1 ratio pump | | 1 | \$1,092.00 |



| 20kg GREASE PUMPS | | Box Qty. | D Suggested List Price |
|-------------------|---|----------|----------------------------------|
| 8541 | Alemite Super 'H' 70:1 ratio pump | 1 | \$2,732.00 |
| 8551 | Alemite Standard 'H' 50:1 ratio pump | 1 | \$2,489.00 |
| 9911-R1 | Alemite RAM 50:1 ratio pump | 1 | \$1,616.00 |
| 402050 | Samoa heavy duty series 60:1 ratio pump | 1 | \$1,153.00 |
| 404100 | Samoa standard duty 55:1 ratio pump | 1 | \$922.00 |
| 9950-C1 | Alemite RAM 50:1 ratio pump – 485mm long pump tube | 1 | \$1,666.00 |
| 8700-A | Alemite hydraulically operated grease pump – 7,500psi | 1 | \$4,011.00 |



| 55kg GREASE PUMPS | | Box Qty. | D Suggested List Price |
|-------------------|--------------------------------------|----------|----------------------------------|
| 340043 | Alemite 100:1 ratio pump | 1 | \$3,623.00 |
| 8540-B | Alemite Super 'H' 70:1 ratio pump | 1 | \$2,783.00 |
| 9940 | Alemite RAM 70:1 ratio pump | 1 | \$2,611.00 |
| 8550-B | Alemite Standard 'H' 50:1 ratio pump | 1 | \$2,536.00 |
| 9950-1 | Alemite RAM 50:1 ratio pump | 1 | \$1,715.00 |
| 407200 | Samoa 55:1 ratio pump | 1 | \$966.00 |



| 180kg GREASE PUMPS | | Box Qty. | D Suggested List Price |
|--------------------|--------------------------------------|----------|----------------------------------|
| 8549-B1 | Alemite Super 'H' 70:1 ratio pump | 1 | \$3,014.00 |
| 9949 | Alemite RAM 70:1 ratio pump | 1 | \$2,497.00 |
| 8559-B | Alemite Standard 50:1 ratio pump | 1 | \$2,643.00 |
| 9950-D1 | Alemite RAM 50:1 ratio pump | 1 | \$1,857.00 |
| 402025 | Samoa PM3 + 3 series 60:1 ratio pump | 1 | \$1,185.00 |
| 409200 | Samoa PM3 series 55:1 ratio pump | 1 | \$1,028.00 |

1.21 HEAVY DUTY AIR OPERATED GREASE PUMPS



| 180kg GREASE PUMPS | | Box Qty. | Suggested List Price |
|--------------------|---|----------|----------------------|
| 7786-A5 | Alemite high pressure grease pump, 75:1 ratio, 4-1/4" air motor | 1 | \$8,106.00 |
| *531710 | Samoa high pressure grease pump, 70:1 ratio, 4-1/2" air motor | 1 | \$5,048.00 |
| 7785-A5 | Alemite high pressure grease pump, 40:1 ratio, 4-1/4" air motor | 1 | \$6,939.00 |
| *531410 | Samoa high pressure grease pump, 40:1 ratio, 4-1/2" air motor | 1 | \$4,914.00 |
| 401025 | Samoa high pressure grease pump, 55:1 ratio, 6" air motor | 1 | \$4,193.00 |

| BULK GREASE TANK GREASE PUMP | | Box Qty. | Suggested List Price |
|------------------------------|--|----------|----------------------|
| 7730A | Alemite high pressure grease pump, 75:1 ratio for bulk grease hoppers with 3" male camlock | 1 | \$6,510.00 |

1.22 STATIONARY GREASING SYSTEMS



| | | | |
|---------------|---|---|------------|
| 453000 | Samoa stationary greasing system including 180kg grease pump, drum cover, follower plate, 10m open hose reel, Z swivel and grease control valve | 1 | \$2,823.00 |
|---------------|---|---|------------|



DID YOU KNOW

The Samoa 424170 20kg grease kit is the ideal greasing solution for busy workshops and on the go plant & equipment operators. Sure to exceed your greasing requirements, the 55:1 ratio air motor will provide you with that extra power that is required when lubricating stiff or tight lube points and the genuinely heavy duty grease control valve will stand up to day in day out use. The Samoa 424170 with its cast alloy dual cylinder air motor is engineered to provide a long service life and will get the job done quickly, reliably, quietly and can even handle high viscosity greases up to NLGI2.

1.23 DRUM COVERS



418013



323847-4

| | | Box Qty. | Suggested List Price |
|-----------------|---|----------|----------------------|
| 418013 | 20kg – suits all 20kg Alemite and Samoa grease pumps | 1 | \$103.20 |
| 418004 | 55kg – suits all 55kg Alemite and Samoa grease pumps | 1 | \$195.70 |
| 418006 | 180kg – suits all Alemite and Samoa grease pumps | 1 | \$284.40 |
| 323847-4 | 180kg – suits 3-1/2" and 4-1/4" dia. air motor Alemite grease pumps | 1 | \$545.00 |
| 322590-4 | 180kg – suits 3-1/2" and 4-1/4" dia. air motor Alemite grease pumps - includes mounting plate | 1 | \$698.00 |

1.24 FOLLOWER PLATES



417003

| | | Box Qty. | Suggested List Price |
|---------------|---|----------|----------------------|
| 417001 | Samoa 20kg – suits most brands of grease pumps due to internal rubber flange | 1 | \$169.70 |
| 417003 | Samoa 55kg – suits most brands of grease pumps due to internal rubber flange | 1 | \$232.20 |
| 417004 | Samoa 180kg – suits most brands of grease pumps due to internal rubber flange | 1 | \$286.50 |
| 338912 | 180kg – suits all Alemite grease pumps with 3-1/2" and 4-1/4" diameter air motors | 1 | \$504.00 |



i DID YOU KNOW

BEKAONE single point lubricators are mounted directly onto a lubrication point and ensure reliable lubrication for 1, 3, 6, 12 or 24 months per filling. The BEKAONE has been specifically designed as the ideal solution to supply single lubrication points where a central lubrication system is too large or too complex. Operated by electromechanic actuation the BEKAONE offers precise grease metering and is effective over a wide temperature range and can be filled up to six times before replacement is required. Suitable for grease and oil, the BEKAONE can be filled easily and quickly with a grease gun for example and significantly reduces lubrication costs associated with bearings, open gears, chains, drives, compressors and conveyors.

1.25 GREASE HOSE REELS

D

Box Qty. Suggested List Price

HEAVY DUTY

| | | | |
|----------------|---|---|------------|
| 8080-A | Alemite high capacity grease reel c/w 25m x 9mm ID hose and hose stop | 1 | \$3,993.00 |
| 7340 | Alemite 25mm high capacity grease reel – bare 3/8" NPT (f) | 1 | \$3,445.00 |
| 8081-J | Alemite severe duty grease reel c/w 15m x 10mm ID hose and hose stop | 1 | \$2,595.00 |
| 8081-B | Alemite severe duty grease reel c/w 15m x 6mm ID hose and hose stop | 1 | \$1,761.00 |
| 8081-A | Alemite severe duty grease reel c/w 10m x 6mm ID hose and hose stop | 1 | \$2,109.00 |
| 7370 | Alemite 15m capacity heavy duty grease reel – bare 3/8" NPT (f) | 1 | \$1,849.00 |
| 8078-BB | Alemite heavy duty grease reel c/w 15m x 10mm ID hose and hose stop | 1 | \$1,990.00 |
| 8078-B | Alemite heavy duty grease reel c/w 15m x 6mm ID hose and hose stop | 1 | \$1,794.00 |
| 8078-A | Alemite heavy duty grease reel c/w 10m x 6mm ID hose and hose stop | 1 | \$1,746.00 |



8080-A



8081-J



504300



507321



501300



SG800

D

Box Qty. Suggested List Price

STANDARD DUTY

| | | | |
|---------------|--|---|------------|
| 504301 | Samoa open grease reel c/w 15m x 10mm ID hose and hose stop | 1 | \$1,513.00 |
| 507321 | Samoa covered grease reel c/w 15m x 10mm ID hose and hose stop | 1 | \$1,362.00 |
| 504300 | Samoa open grease reel c/w 15m x 6mm ID hose and hose stop | 1 | \$1,439.00 |
| 504399 | Samoa 15m open grease reel – bare, 3/8" BSP (f) | 1 | \$1,189.00 |
| 502304 | Samoa covered grease reel c/w 10m x 6mm ID hose and hose stop | 1 | \$1,309.00 |
| 502398 | Samoa 10m covered grease reel – bare, 3/8" BSP (f) | 1 | \$1,120.00 |
| 501300 | Samoa open grease reel c/w 10m x 6mm ID hose and hose stop | 1 | \$1,004.00 |
| 506300 | Samoa single arm open grease reel c/w 10m x 6mm ID hose and hose stop | 1 | \$608.00 |
| 501398 | Samoa 10m open grease reel - bare, 3/8" BSP(f) | 1 | \$865.00 |
| *SG800 | Alemlube S Series grease reel c/w 10m x 6mm ID hose, hose stop and 0.9m lead in hose | 1 | \$361.00 |

1.26 GREASE SWIVELS

D

Box Qty. Suggested List Price



331107

| Part Number | Description | Box Qty. | Suggested List Price |
|-------------|---|----------|----------------------|
| 331107 | Alemite Z-type – 1/4" NPT (m) x 1/4" NPT (m) | 1 | \$241.30 |
| 52752 | Alemite Z-type – 1/4" NPT (m) x 1/2" 27 TPI (m) | 1 | \$214.80 |
| 51543 | Alemite Z-type – 3/8" NPT (m) x 1/2" NPT (m) | 1 | \$397.00 |
| 414300 | Samoa Z-type – 1/4" BSP (m) x 1/4" BSP (f) | 1 | \$73.10 |
| 414301 | Samoa Z-type – 1/4" BSP (m) x 1/2" 27 TPI (m) | 1 | \$73.10 |
| 414302 | Samoa Z-type – 1/4" BSP (m) x 1/8" BSP (m) | 1 | \$73.10 |
| 414303 | Samoa Z-type – 1/4" BSP (m) x 1/4" BSP (m) | 1 | \$73.10 |
| 414310 | Samoa Z-type – 1/8" BSP (m) x 1/2" 27 TPI (m) | 1 | \$73.10 |
| 52751 | Alemite 90° – 1/4" NPT (m) x 1/2" 27 TPI (m) | 1 | \$171.90 |
| 51542 | Alemite 90° – 3/8" NPT (m) x 1/2" NPT (m) | 1 | \$239.30 |
| 54730 | Alemite straight – 1/8" NPT (m) x 1/8" NPT (m) | 1 | \$93.40 |
| 321320 | Alemite straight – 1/4" NPT (m) x 1/4" NPT (m) | 1 | \$93.40 |
| 52750 | Alemite straight – 1/4" NPT (m) x 1/2" 27 TPI (m) | 1 | \$106.90 |
| 51541 | Alemite straight – 3/8" NPT (m) x 1/2" NPT (m) | 1 | \$164.90 |

1

\$241.30



52752

1

\$214.80

1

\$397.00

1

\$73.10

1

\$73.10

1

\$73.10

1

\$73.10

1

\$73.10

1

\$171.90

1

\$239.30

1

\$93.40

1

\$93.40

1

\$106.90

1

\$164.90



52751

1

\$171.90

1

\$239.30

1

\$93.40

1

\$93.40

1

\$106.90

1

\$164.90



321320

1

\$93.40

1

\$93.40

1

\$106.90

1

\$164.90



51541

1

\$164.90

1.27 GREASE CONTROL VALVES

D



| | | Box Qty. | Suggested List Price |
|----------------|---|----------|----------------------|
| 7716-D1 | Alemite measuring control valve – delivers accurately up to 1oz of lubricant per cycle | 1 | \$2,822.00 |
| 7421-3 | Alemite “Adjustashot” deluxe control valve – delivers a wide range of measured shots | 1 | \$713.00 |
| 6320-A | Alemite heavy duty control valve with flexible extension – delivers pre-set measured shots or continuous flow | 1 | \$473.00 |
| 413081 | Samoa standard duty control valve with flexible extension | 1 | \$200.90 |
| 6320-3 | Alemite heavy duty control valve with rigid extension – delivers pre-set measured shots or continuous flow | 1 | \$456.00 |
| 413077 | Samoa standard duty control valve with rigid extension | 1 | \$183.80 |
| 413080 | Samoa standard duty control valve with rigid extension and swivel | 1 | \$206.10 |
| 6438 | Alemite high volume control valve – medium pressure for grease transfer | 1 | \$549.00 |

1.28 GREASE METERS

D



| | | Box Qty. | Suggested List Price |
|---------------|--|----------|----------------------|
| 411100 | Samoa electronic in line grease meter | 1 | \$698.00 |
| 415002 | Samoa electronic grease metering control valve | 1 | \$955.00 |

1.29 GREASE HOSE ASSEMBLIES

D

Box Qty. Suggested List Price



4900-20

4900-8 Alemlube 6mm ID grease hose – 2.8m long

1 \$94.60

4900-10 Alemlube 6mm ID grease hose – 3m long

1 \$110.50



4900-30

4900-20 Alemlube 6mm ID grease hose – 6m long

1 \$183.40

4900-30 Alemlube 6mm ID grease hose – 10m long

1 \$270.90



4900-40

4900-40 Alemlube 6mm ID grease hose – 13m long

1 \$340.00

4900-50 Alemlube 6mm ID grease hose – 15m long

1 \$391.00

1.30 BEARING PACKERS

C

Box Qty. Suggested List Price



B412

6598-B Alemite – handles all roller and ball type bearings up to 6" (15cm) OD

1 \$430.00

B412 Alemite – handles all roller and ball type bearings up to 4" (10cm) OD

1 \$57.30



6709-B4

6709-B4 Alemite – handles all roller and ball type bearings up to 8" (20cm) OD - includes 20kg pump, follower plate and drum cover

1 \$1,548.00

6709-A4 Alemite – handles all roller and ball type bearings up to 8" (20cm) OD - includes 55kg pump, follower plate and drum cover

1 \$1,575.00



DIESEL TRANSFER AND METERING EQUIPMENT

2.1 ELECTRICALLY OPERATED DIESEL TRANSFER DRUM PUMPS

D



M3025-AL



M3025-ML



52004



M150SA



52002

12V REFUELLING KITS

| | | Box Qty. | Suggested List Price |
|-----------------|--|----------|----------------------|
| M3025-AL | GPI high volume refuelling kit with auto shut off nozzle, 95 L/min | 1 | \$1,269.00 |
| M3025-ML | GPI high volume refuelling kit with manual shut off nozzle, 95 L/min | 1 | \$1,067.00 |
| 52004A | Piusi high volume refuelling kit with auto shut off nozzle, 80 L/min | 1 | \$1,270.00 |
| 52004 | Piusi high volume refuelling kit with manual nozzle, 80 L/min | 1 | \$1,044.00 |
| M150SA | GPI heavy duty refuelling kit with auto shut off nozzle, 49 L/min | 1 | \$789.00 |
| M150S | GPI heavy duty refuelling kit with manual nozzle, 56 L/min | 1 | \$705.00 |
| 52002A | Piusi standard duty refuelling kit with auto shut off nozzle, 46 L/min | 1 | \$751.00 |
| 52002 | Piusi standard duty refuelling kit with manual nozzle, 50 L/min | 1 | \$590.00 |

24V REFUELLING KITS

| | | Box Qty. | Suggested List Price |
|-----------------|---|----------|----------------------|
| M3425-AL | GPI high volume with auto shut off nozzle, 85 L/min | 1 | \$1,286.00 |
| M3425-ML | GPI high volume with manual shut off nozzle, 95 L/min | 1 | \$1,102.00 |
| 52005A | Piusi high volume with auto shut off nozzle, 80 L/min | 1 | \$1,270.00 |
| 52005 | Piusi high volume with manual nozzle, 80 L/min | 1 | \$1,044.00 |

M3425-ML



52005A



M240SA



M240S



M3295-AL

| | | | |
|---------------|---|---|----------|
| M240SA | GPI heavy duty with auto shut off nozzle, 49 L/min | 1 | \$948.00 |
| M240S | GPI heavy duty with manual nozzle, 56 L/min | 1 | \$864.00 |
| 52003A | Piusi standard duty with auto shut off nozzle, 46 L/min | 1 | \$751.00 |
| 52003 | Piusi standard duty with manual nozzle, 50 L/min | 1 | \$590.00 |

D

Box Qty. Suggested List Price

240V REFUELLING KITS

| | | | |
|-----------------|--|---|------------|
| M3295-AL | GPI high volume with auto shut off nozzle, 113 L/min | 1 | \$2,289.00 |
| M3295-ML | GPI high volume with manual shut off nozzle, 113 L/min | 1 | \$2,081.00 |

2.2 HAND OPERATED DIESEL TRANSFER DRUM PUMPS

C

Box Qty. Suggested List Price



5060AN



5005AN2



HP90



501A

| | | | |
|----------------|---|---|----------|
| 5080AN | Alemlube heavy duty hi-flo refuelling drum pump with all accessories plus filter, 115 L/min | 5 | \$661.00 |
| 5060AN | Alemlube heavy duty hi-flo refuelling drum pump with all accessories, 115 L/min | 5 | \$421.00 |
| HP90 | GPI 1L per cycle drum pump, 30L/min | 5 | \$350.00 |
| 5005AN2 | Alemlube rowing action drum pump, 40 L/min | 5 | \$322.00 |
| 501A | Alemlube heavy duty rotary drum pump with cast alloy body and antistatic hose, 18 L/min | 5 | \$167.00 |
| 501 | Alemlube rotary action drum pump with cast alloy body and concertina type hose, 18 L/min | 5 | \$117.00 |

2.3 DIESEL BULK TANK PUMPS AND KITS

D



732000



337000



52040

ELECTRICALLY OPERATED PUMPS ONLY

| | | Box Qty. | Suggested List Price |
|---------------|---|----------|----------------------|
| 326000 | Piusi 240V vane pump only, 100 L/min | 1 | \$865.00 |
| 732000 | Piusi 240V vane pump only, 72 L/min | 1 | \$474.00 |
| 730000 | Piusi 240V vane pump only, 56 L/min | 1 | \$445.00 |
| 337000 | Piusi 12V intelligent tank pump, 40 L/min | 1 | \$699.00 |
| 52040 | Piusi 12V self priming pump only, 50 L/min | 1 | \$398.00 |
| 338010 | Piusi 24V intelligent tank pump, 60 L/min | 1 | \$699.00 |
| 52041 | Piusi 24V self priming pump only, 50 L/min | 1 | \$398.00 |
| 50040 | Alemlube 12V submersible centrifugal pump, 32 L/min | 1 | \$101.10 |
| 50041 | Alemlube 24V submersible centrifugal pump, 32 L/min | 1 | \$101.10 |

D

ELECTRICALLY OPERATED REFUELLING KITS WITHOUT METERS



212000



52000A



52000



50000

| | | Box Qty. | Suggested List Price |
|---------------|---|----------|----------------------|
| 212000 | Piusi 12V pump, hose reel, filter & shut off nozzle refuelling kit, 45L/min | 1 | \$2,766.00 |
| 213000 | Piusi 24V pump, hose reel, filter & shut off nozzle refuelling kit, 45L/min | 1 | \$2,766.00 |
| 231010 | Piusi 12V portable & self banded refuelling kit, 45 L/min | 1 | \$797.00 |
| 52000A | Piusi 12V refuelling kit with auto shut off nozzle 50 L/min - portable | 1 | \$614.00 |
| 52000 | Piusi 12V refuelling kit with manual shut off nozzle, 50 L/min – portable | 1 | \$475.00 |
| 232010 | Piusi 24V portable & self banded refuelling kit, 45 L/min | 1 | \$797.00 |
| 52001A | Piusi 24V refuelling kit with auto shut off nozzle, 50 L/min – portable | 1 | \$614.00 |
| 52001 | Piusi 24V refuelling kit with manual nozzle, 50 L/min – portable | 1 | \$475.00 |
| 51240 | Piusi 240V refuelling kit without meter, 56 L/min – portable | 1 | \$610.00 |
| 50000 | 12V submersible transfer kit with manual nozzle, 32 L/min - portable | 1 | \$201.20 |
| 50001 | 24V submersible transfer kit with manual nozzle, 32 L/min - portable | 1 | \$201.20 |



D

| ELECTRICALLY OPERATED REFUELLING KITS WITH METERS | | Box Qty. | Suggested List Price |
|---|---|----------|----------------------|
| ST200 | Piusi 240V high volume mobile refuelling kit with manual nozzle and meter – 200 L/min | 1 | \$2,590.00 |
| *ST200DC | Piusi 24V high volume mobile refuelling kit with manual nozzle and meter – 185 L/min | 1 | \$2,420.00 |
| GTA12244560 | Alemlube 12V or 24V refuelling kit with auto shut off nozzle and meter – 45/60 L/min | 1 | \$1,672.00 |
| GTP12244560 | Alemlube 12V or 24V refuelling kit with manual shut off nozzle & meter – 45/60 L/min | 1 | \$1,569.00 |
| 287000 | Piusi 240V refuelling kit with auto shut off nozzle and meter – 56 L/min | 1 | \$1,672.00 |
| 385000 | Piusi 240V refuelling kit with manual shut off nozzle and meter – 56 L/min | 1 | \$1,569.00 |

2.4 DIESEL FUEL MANAGEMENT BOWSERS



D

| PIUSI 240V DIESEL FUEL MANAGEMENT BOWSERS | | Box Qty. | Suggested List Price |
|---|--|----------|----------------------|
| *51050-2.0 | Piusi 240V fuel bowser, Wi-Fi version, with ticket printer - 90 L/min | 1 | \$9,878.00 |
| 51050 | Piusi 240V fuel bowser, standard version, with ticket printer - 90 L/min | 1 | \$10,982.00 |
| *51051-2.0 | Piusi 240V fuel bowser, Wi-Fi version, - 90 L/min | 1 | \$6,285.00 |
| 51051 | Piusi 240V fuel bowser, standard version, - 90 L/min | 1 | \$6,354.00 |
| *51090P-2.0 | Piusi 240V fuel bowser with pedestal, wi-fi version - 70 L/min | 1 | \$5,195.00 |
| *51090-2.0 | Piusi 240V fuel bowser, Wi-Fi version - 70 L/min | 1 | \$4,763.00 |
| 51090P | Piusi 240V fuel bowser with pedestal, standard version - 70 L/min | 1 | \$4,446.00 |
| 51090 | Piusi 240V fuel bowser, standard version - 70 L/min | 1 | \$4,014.00 |

2.5 DIESEL BOWSERS



D

| PIUSI 240V DIESEL FUEL DISPENSERS | | Box Qty. | Suggested List Price |
|-----------------------------------|--|----------|----------------------|
| *50090P | Piusi 240V fuel transfer pump with pedestal - 90 L/min | 1 | \$2,515.00 |
| *50090 | Piusi 240V fuel transfer pump - 90 L/min | 1 | \$2,028.00 |
| #50070P | Piusi 240V fuel transfer pump with pedestal - 70 L/min (Supercedes part number 51080P) | 1 | \$2,335.00 |



50056P

D

| PIUSI 240V DIESEL FUEL DISPENSERS | | Box Qty. | Suggested List Price |
|-----------------------------------|---|----------|----------------------|
| #50070 | Piusi 240V fuel transfer pump - 70 L/min (Supercedes part number 51080) | 1 | \$1,848.00 |
| #50056P | Without pedestal, 56 L/min (Supercedes part number 51070P) | 1 | \$2,181.00 |
| #50056 | With pedestal, 56 L/min (Supercedes part number 51070) | 1 | \$1,564.00 |

2.6 ENGINE DRIVEN DIESEL AND WATER TRANSFER PUMPS

D



392000



391000



391125

Box Qty. Suggested List Price

| | | | |
|--------|--|---|------------|
| 392000 | Alemlube petrol driven 2" diesel & water transfer pump, 500 L/min | 1 | \$1,248.00 |
| 391000 | Alemlube petrol driven 1" diesel & water transfer pump, 125 L/min | 1 | \$922.00 |
| 391125 | Alemlube petrol driven 1" diesel transfer kit with auto shut off nozzle, 125 L/min | 1 | \$1,148.00 |

D



DD401060



DD301000



PD20450



DD20500



PD15300

Box Qty. Suggested List Price

| PULL START | | Box Qty. | Suggested List Price |
|------------|--|----------|----------------------|
| PD401500 | Alemlube petrol driven 4" diesel & water transfer pump | 1 | \$1,287.00 |
| DD401060 | Alemlube diesel driven 4" diesel & water transfer pump | 1 | \$2,108.00 |
| PD301000 | Alemlube petrol driven 3" diesel & water transfer pump | 1 | \$635.00 |
| DD301000 | Alemlube diesel driven 3" diesel & water transfer pump | 1 | \$1,668.00 |
| PD20450 | Alemlube petrol driven 2" diesel & water transfer pump | 1 | \$550.00 |
| DD20500 | Alemlube diesel driven 2" diesel & water transfer pump | 1 | \$1,448.00 |
| PD15300 | Alemlube petrol driven 1-1/2" diesel & water transfer pump | 1 | \$507.00 |
| PD10120 | Alemlube petrol driven 1" diesel & water transfer pump | 1 | \$431.00 |



Box Qty. Suggested List Price

| KEY START | | Box Qty. | Suggested List Price |
|-------------------|--|----------|----------------------|
| PD401500KS | Alemlube petrol driven 4" diesel & water transfer pump | 1 | \$1,508.00 |
| DD401060KS | Alemlube diesel driven 4" diesel & water transfer pump | 1 | \$2,458.00 |
| PD301000KS | Alemlube petrol driven 3" diesel & water transfer pump | 1 | \$807.00 |
| DD301000KS | Alemlube diesel driven 3" diesel & water transfer pump | 1 | \$2,008.00 |
| PD20450KS | Alemlube petrol driven 2" diesel & water transfer pump | 1 | \$724.00 |
| DD20500KS | Alemlube diesel driven 2" diesel & water transfer pump | 1 | \$1,791.00 |

2.7 DIESEL METERS



Box Qty. Suggested List Price

| | | | |
|----------------------------|---|---|-------------|
| OM100E441-241NM+AES | Flomec meter A 4" E/FL flanged 2500 L/min NMI approved | 1 | \$14,735.00 |
| OM100E441-810M3 | Flomec meter A 4" with mechanical totaliser 2500 L/min BSPF pulse | 1 | \$10,758.00 |
| OM100A001-21100 | Flomec meter A 4" 1500 L/min BSPF Pulse | 1 | \$7,436.00 |
| OM080A001-21100 | Flomec meter A 3" 750 L/min BSPF Pulse | 1 | \$3,892.00 |
| K900 | Piusi electronic diesel pulse meter, 3" inlet, 500 L/min | 1 | \$3,685.00 |
| OM050A001-810M3 | Flomec meter A 2" 450 L/min BSPF Pulse | 1 | \$3,230.00 |
| OM050A001-21100 | Flomec meter A 2" 450 L/min BSPF Pulse | 1 | \$2,791.00 |
| K700 | Piusi electronic diesel pulse meter, 2" inlet, 250 L/min | 1 | \$2,635.00 |
| OM040A001-21100 | Flomec meter A 1.5" 250 L/min BSPF Pulse | 1 | \$1,778.00 |
| MR530 | GPI mechanical diesel meter, 1-1/2" inlet, 114 L/min | 1 | \$852.00 |

2.7 DIESEL METERS

D

Box Qty. Suggested List Price



OM025A001-21100

| Part Number | Description | Box Qty. | Suggested List Price |
|-----------------|---|----------|----------------------|
| OM025A001-21100 | Flomec meter A 1" 150 LPM BSPP Pulse | 1 | \$1,165.00 |
| K600/4 | Piusi electronic diesel meter, 1-1/2" inlet, 150 L/min | 1 | \$1,071.00 |
| FM100 | GPI mechanical diesel meter, 1" inlet and filter, 75 L/min | 1 | \$384.00 |
| 51008F | Piusi 3 digit mechanical diesel meter, 1" inlet and filter, 120 L/min | 1 | \$433.00 |
| K600N/3F | Piusi electronic diesel meter, 1" inlet without filter, 100 L/min | 1 | \$777.00 |
| FM200 | GPI mechanical diesel meter, 1" inlet without filter, 75 L/min | 1 | \$356.00 |
| 51007 | Piusi 4 digit mechanical diesel meter, 1" inlet without filter, 120 L/min | 1 | \$408.00 |
| 51008 | Piusi 3 digit mechanical diesel meter, 1" inlet without filter, 120 L/min | 1 | \$392.00 |
| 01A12LM | GPI in-line electronic diesel meter, 1" inlet without filter, 100 L/min | 1 | \$289.40 |
| #407010N2 | Piusi in-line electronic diesel meter, 1" inlet without filter, 120 L/min | 1 | \$360.00 |
| OM015A001-21100 | Flomec meter A 1/2" 40 L/min BSPP Pulse | 1 | \$896.00 |
| OM008A001-21100 | Flomec meter A 3/8" 550 L/hr BSPP Pulse | 1 | \$644.00 |
| OM006A511-21100 | Flomec meter A 1/4" 100 L/hr BSPP Pulse | 1 | \$693.00 |
| OM004A511-21100 | Flomec meter A 1/8" 36 L/hr BSPP Pulse | 1 | \$693.00 |



K600/4



FM100



FM200



51008



01A12LM



407010N2



OM008A001-21100

• For further information and models contact our nearest Alemlube Branch

2.8 REMOTE DISPLAYS FOR DIESEL METERS

D



RT401D0FA



RT121D0FA

| | | Box Qty. | Suggested List Price |
|------------------|--|----------|----------------------|
| IPT | Printer with totaliser | 1 | \$2,815.00 |
| CO4HWP | LED totaliser, 100mm digit | 1 | \$2,055.00 |
| RT121D0FA | Flomec remote DISP rate/tot 4-20 +P UNIV-MT AL | 1 | \$866.00 |
| RT401D0FA | Flomec remote DISP lg-d rate/tot +P UNIV-MT AL | 1 | \$1,092.00 |

2.9 DIESEL NOZZLES

D



52039



51037M



51039



51009N



52007

| | | Box Qty. | Suggested List Price |
|----------------|---|----------|----------------------|
| 52039 | Alemlube auto shut off nozzle for diesel, 280 L/min, 1-1/2" BSP (f) swivel | 1 | \$503.00 |
| *51037M | Alemlube auto shut off nozzle with digital meter for diesel, 60L/min, 1" BSP (f) swivel | 1 | \$436.00 |
| *51040 | Alemlube auto shut off nozzle for diesel, 140 L/min, 1" BSP (f) swivel | 1 | \$323.00 |
| 51039 | Alemlube auto shut off nozzle for diesel, 120 L/min, 1" BSP (f) swivel | 1 | \$304.00 |
| 51037 | Alemlube auto shut off nozzle for diesel, 60 L/min, 1" BSP (f) swivel | 1 | \$253.00 |
| 51009N | Alemlube manual nozzle for diesel, 230 L/min, 1-1/2" BSP (f) swivel | 1 | \$289.30 |
| 52007 | Alemlube farm tank manual nozzle for diesel, 150 L/min, 1" BSP (f) swivel | 1 | \$52.40 |

2.10 DIESEL NOZZLE INLET SWIVELS



Box Qty. Suggested List Price

| | | | |
|---------------|---|---|----------|
| 512525 | Alemlube dual plane swivel, 1" BSP (m) x 1" BSP (f) | 1 | \$100.20 |
| 512020 | Alemlube dual plane swivel, 3/4" BSP (m) x 3/4" BSP (f) | 1 | \$77.00 |
| 502020 | Alemlube single plane swivel, 3/4" BSP (m) x 3/4" BSP (f) | 1 | \$30.10 |
| 502025 | Alemlube single plane swivel, 3/4" BSP (m) x 1" BSP (f) | 1 | \$51.00 |
| 502525 | Alemlube single plane swivel, 1" BSP (m) x 1" BSP (f) | 1 | \$57.10 |
| 503232 | Alemlube single plane swivel, 1-1/2" BSP (m) x 1-1/2" BSP (f) | 1 | \$102.40 |

2.11 DIESEL FILTERS



Box Qty. Suggested List Price

| | | | |
|---------------|--|---|----------|
| 611110 | Piusi 1" diesel filter with steel bowl, 150L/min, 30µm, water absorbing | 1 | \$268.80 |
| 611100 | Piusi 1" diesel filter with steel bowl, 70L/min, 30µm, water absorbing | 1 | \$85.20 |
| 611200 | Piusi 1" diesel filter with clear plastic bowl, 100L/min, 5µm | 1 | \$150.20 |
| #FA2 | Alemlube 1" diesel filter with clear plastic bowl, 100L/min | 1 | \$134.50 |
| 611210 | Piusi 1" diesel filter with clear plastic bowl, 70L/min, 30µm, water absorbing | 1 | \$125.40 |
| 611020 | Piusi 611110 replacement filter cartridge | 1 | \$110.60 |
| 611010 | Piusi 611100 replacement filter cartridge | 1 | \$59.80 |
| 611030 | Piusi 611200 replacement filter cartridge | 1 | \$32.90 |
| 611040 | Piusi 611210 replacement filter cartridge | 1 | \$52.20 |
| PF10N | Alemlube FA2 replacement filter cartridge | 1 | \$27.00 |

2.12 DIESEL TANK LEVEL MONITORING AND CONTROL SYSTEMS

D



| | | Box Qty. | Suggested List Price |
|--------|--|----------|----------------------|
| 775000 | Piusi remote fluid tank level management system with printer | 1 | \$3,910.00 |
| 755030 | Piusi remote fluid tank level management system | 1 | \$3,181.00 |
| 755000 | Piusi diesel tank level monitoring system | 1 | \$1,189.00 |
| 51060N | Piusi diesel management and control system | 1 | \$3,589.00 |
| 755100 | Piusi diesel tank level monitoring gauge | 1 | \$745.00 |

2.13 DIESEL PUMP HOSE AND HOSE BARB

D



| | | Box Qty. | Suggested List Price |
|-----------|--|----------|----------------------|
| *FTH1-5M2 | Alemlube 5m x 1" diesel farm tank hose with hose barbs and manual nozzle kit | 1 | \$153.10 |
| FTH1-3M2 | Alemlube 3m x 1" diesel farm tank hose with hose barbs and manual nozzle kit | 1 | \$131.20 |
| *FTH1-3M1 | Alemlube 3m x 1" diesel farm tank hose with hose barbs | 1 | \$66.10 |
| *FTH1-3M | Alemlube 3m x 1" diesel farm tank hose | 1 | \$48.40 |
| FTH2 | Alemlube 1-1/2" diesel farm tank hose - per meter | 1 | \$36.00 |
| FTH1 | Alemlube 1" diesel farm tank hose - per meter | 1 | \$11.60 |
| 7764 | Alemlube brass machined 1" BSP (m) x 1" ID hose tail | 1 | \$11.00 |



i DID YOU KNOW

Alemlube has addressed the need for user friendly, transportable lockable diesel fuel storage & dispensing kits with the introduction of the L40000 range of heavy duty polyethylene tank/dispensing kits. Covered by the comprehensive Alemlube 2 year warranty, the kits comprise either a patented self priming vane pump or a dual motor self priming rotary vane pump manufactured in Italy, or a gear type pump with a heavy duty cast aluminium body manufactured in the USA. Capable of delivery rates of up to 80L/min, the kits are available with either an automatic or manual nozzle and clever design has incorporated internal baffles for tank stability, pallet lift points and tie down strap recesses. Already in use by earth moving contractors, road builders, in industry, agriculture and minesites, the Alemlube lockable diesel fuel storage & dispensing kits represent mobile refuelling at its best.

2.14 DIESEL HOSE REEL KITS



D
Box Qty. Suggested List Price

| | | | |
|-------------------|---|---|------------|
| 1125-6-35C | Coxreels 1" ID hand rewind hose reel, c/w 10m x 25mm ID hose with automatic nozzle | 1 | \$2,028.00 |
| H19030C | Alemlube 3/4" ID hand rewind hose reel, c/w 10m x 3/4" ID hose and automatic nozzle | 1 | \$570.00 |

2.15 DIESEL HOSE REELS



D
Box Qty. Suggested List Price

| | | | |
|------------------|--|---|------------|
| SLPF-850 | Coxreels 1-1/2" ID spring rewind hose reel, c/w 15m x 1-1/2" ID hose | 1 | \$4,901.00 |
| 8082-G | Alemite 1-1/2" spring rewind hose reel, c/w 15m x 1-1/2" ID hose | 1 | \$3,930.00 |
| 508810 | Samoa 1-1/2" spring rewind hose reel, c/w 15m x 1-1/2" ID hose | 1 | \$3,296.00 |
| SLPL-850 | Coxreels 1-1/2" ID spring rewind hose reel, 15m capacity – bare | 1 | \$3,913.00 |
| 7346 | Alemite 1-1/2" ID spring rewind hose reel, 15m capacity – bare | 1 | \$2,944.00 |
| 508890 | Samoa 1-1/2" ID spring rewind hose reel, 15m capacity – bare | 1 | \$2,346.00 |
| SLPF-835 | Coxreels 1-1/2" ID spring rewind hose reel, c/w 11m x 1-1/2" ID hose | 1 | \$4,400.00 |
| SLPL-835 | Coxreels 1-1/2" ID spring rewind hose reel, 11m capacity – bare | 1 | \$3,828.00 |
| 1185-1124 | Coxreels 1-1/2" ID hand rewind hose reel, 15m capacity – bare | 1 | \$2,471.00 |
| SLPF-750 | Coxreels 1-1/4" ID spring rewind hose reel, c/w 15m x 1-1/4" ID hose | 1 | \$4,535.00 |
| SLPL-750 | Coxreels 1-1/4" ID spring rewind hose reel, 15m capacity – bare | 1 | \$3,883.00 |
| 8080-G | Alemite 1" ID spring rewind hose reel, c/w 15m x 1" ID hose | 1 | \$3,089.00 |
| 508225 | Samoa 1" ID spring rewind hose reel, c/w 15m x 1" ID hose | 1 | \$2,631.00 |
| 750030 | Piusi 1" ID spring rewind hose reel, c/w 10m x 1" ID hose | 1 | \$1,192.00 |

D



750030



7342



505224N



505924



508225



H19030

| | | | |
|------------------|--|---|------------|
| 8080-G | Alemite 1" ID spring rewind hose reel, c/w 15m x 1" ID hose | 1 | \$3,089.00 |
| 508225 | Samoa 1" ID spring rewind hose reel, c/w 15m x 1" ID hose | 1 | \$2,631.00 |
| 750030 | Piusi 1" ID spring rewind hose reel, c/w 10m x 1" ID hose | 1 | \$1,192.00 |
| 7342 | Alemite 1" ID spring rewind hose reel, 15m capacity – bare | 1 | \$2,581.00 |
| 508925 | Samoa 1" ID spring rewind hose reel, 15m capacity – bare | 1 | \$2,011.00 |
| 1175-6-50 | Coxreels 1" ID hand rewind hose reel, 15m capacity – bare | 1 | \$1,837.00 |
| 1125-6-35 | Coxreels 1" ID hand rewind hose reel, 11m capacity – bare | | \$1,626.00 |
| 7341 | Alemite 1/2" ID spring rewind hose reel, 30m capacity – bare | 1 | \$2,581.00 |
| 505224N | Samoa 3/4" ID spring rewind hose reel, c/w 15m x 3/4" ID hose | 1 | \$2,163.00 |
| 750040 | Piusi 3/4" ID spring rewind hose reel, c/w 10m x 3/4" ID hose | 1 | \$1,055.00 |
| 505924 | Samoa 3/4" ID spring rewind hose reel, 15m capacity – bare | 1 | \$1,610.00 |
| H19030 | Alemlube 3/4" ID hand rewind hose reel, c/w 10m x 3/4" ID hose | 1 | \$460.00 |
| 1125-5-50 | Coxreels 3/4" ID hand rewind hose reel, 15m capacity – bare | 1 | \$1,188.00 |

2.16 TANK, PUMP AND TOOL BOX KITS

D



M4400ML

| TOOL 'N' DIESEL | | Box Qty. | Suggested List Price |
|-----------------|--|----------|----------------------|
| M4400-ML | Alemlube tool and diesel tank, pump and tool kit – 400L steel tank | 1 | \$4,627.00 |
| M4450-ML | Alemlube tool and diesel tank, pump and tool kit – 190L steel tank | 1 | \$3,693.00 |

2.17 MOBILE POLY DIESEL STORAGE AND DISPENSING KITS

D



Box Qty. Suggested List Price

| | | | |
|----------|--|---|------------|
| *6840EDN | Alemlube 68L mobile poly tank complete with 12V kit and manual nozzle | 1 | \$1,134.00 |
| *6820HDN | Alemlube 68L mobile poly tank complete with rotary hand pump and manual nozzle | 1 | \$977.00 |
| *6820HDS | Alemlube 68L mobile poly tank complete with rotary hand pump and spout | 1 | \$832.00 |

2.18 MOBILE & LOCKABLE DIESEL STORAGE, DISPENSING & METERING KITS

D

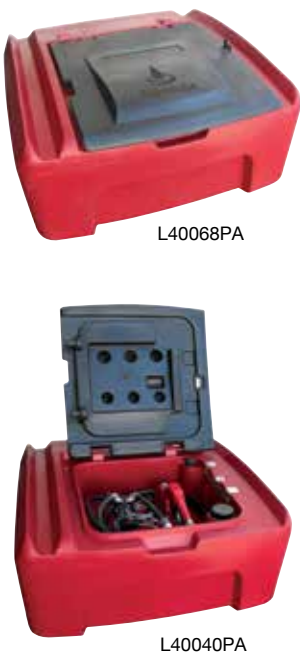


Box Qty. Suggested List Price

| | | | |
|--------|--|---|------------|
| 79910 | Alemlube mobile & lockable diesel storage, dispensing and metering kit – 12V | 1 | \$6,593.00 |
| 430FTD | Alemlube portable bunded diesel storage and dispensing kit - 12V | 1 | \$3,221.00 |

2.20 LOCKABLE POLY DIESEL STORAGE AND DISPENSING KITS

D



Box Qty. Suggested List Price

| | | | |
|-----------|---|---|------------|
| L40068PAM | Alemlube 400L lockable poly tank complete with 52004A 12V diesel pump and 407010N electronic meter | 1 | \$2,320.00 |
| L40068PA | Alemlube 400L lockable poly tank complete with 52004A 12V diesel pump and automatic nozzle | 1 | \$1,960.00 |
| L40049GAM | Alemlube 400L lockable poly tank complete with M150SA 12V diesel pump and O1A12LM electronic fuel meter | 1 | \$2,369.00 |
| L40049GA | Alemlube 400L lockable poly tank complete with M150SA 12V diesel pump and automatic nozzle | 1 | \$1,911.00 |
| L40040PAM | Alemlube 400L lockable poly tank complete with 52000 12V diesel pump and 407010N electronic fuel meter | 1 | \$1,714.00 |
| L40040PA | Alemlube 400L lockable poly tank complete with 52000 12V diesel pump and automatic nozzle | 1 | \$1,354.00 |

2.20 LFT SERIES LOCKABLE POLY DIESEL STORAGE & DISPENSING KITS



Box Qty. Suggested List Price



L60040PAM

| | | | |
|-------------------|---|---|------------|
| *L60040PAM | Alemlube 600L lockable poly tank with 12V kit and automatic nozzle with meter | 1 | \$1,750.00 |
|-------------------|---|---|------------|



| | | | |
|------------------|--|---|------------|
| *L60040PA | Alemlube 600L lockable poly tank with 12V kit and automatic nozzle | 1 | \$1,580.00 |
|------------------|--|---|------------|

L45040PAM

| | | | |
|-------------------|--|---|------------|
| *L45040PAM | Alemlube 450L lockable poly tank with 12V kit and automatic shut off nozzle with meter | 1 | \$1,620.00 |
|-------------------|--|---|------------|

| | | | |
|------------------|--|---|------------|
| *L45040PA | Alemlube 450L lockable poly tank with 12V kit and automatic nozzle | 1 | \$1,450.00 |
|------------------|--|---|------------|



L20040PAM

| | | | |
|-------------------|---|---|------------|
| *L20040PAM | Alemlube 200L lockable poly tank with 12V kit and automatic nozzle with meter | 1 | \$1,230.00 |
|-------------------|---|---|------------|

| | | | |
|------------------|--|---|------------|
| *L20040PA | Alemlube 200L lockable poly tank with 12V kit and automatic nozzle | 1 | \$1,060.00 |
|------------------|--|---|------------|



L10040PA

| | | | |
|-------------------|---|---|------------|
| *L10040PAM | Alemlube 100L lockable poly tank with 12V kit and automatic nozzle with meter | 1 | \$1,160.00 |
|-------------------|---|---|------------|

| | | | |
|------------------|--|---|----------|
| *L10040PA | Alemlube 100L lockable poly tank with 12V kit and automatic nozzle | 1 | \$990.00 |
|------------------|--|---|----------|

2.21 POLY DIESEL STORAGE AND DISPENSING KITS



Box Qty. Suggested List Price



60068PA

| | | | |
|----------------|--|---|------------|
| 60068PA | Alemlube 600L poly tank complete with 52004 12V diesel pump and automatic nozzle | 1 | \$2,082.00 |
|----------------|--|---|------------|

| | | | |
|---------------|---|---|------------|
| 60080P | Alemlube 600L poly tank complete with 52004 12V diesel pump and manual nozzle | 1 | \$1,993.00 |
|---------------|---|---|------------|



60068PA

| | | | |
|----------------|---|---|------------|
| 60049GA | Alemlube 600L poly tank complete with M150SA 12V diesel pump and automatic nozzle | 1 | \$2,035.00 |
|----------------|---|---|------------|

D

Box Qty. Suggested List Price



60056G Alemlube 600L poly tank complete with M150S 12V diesel pump and manual nozzle 1 \$1,945.00



60040PA Alemlube 600L poly tank complete with 52000A 12V diesel pump and automatic nozzle 1 \$1,780.00

60045P Alemlube 600L poly tank complete with 52000 12V diesel pump and manual nozzle 1 \$1,690.00

40068PA Alemlube 400L poly tank complete with 52004A 12V diesel pump and automatic nozzle 1 \$1,577.00



40080P Alemlube 400L poly tank complete with 52004 12V diesel pump and manual nozzle 1 \$1,488.00

40049GA Alemlube 400L poly tank complete with M150SA 12V diesel pump and automatic nozzle 1 \$1,530.00



40056G Alemlube 400L poly tank complete with M150S 12V diesel pump and manual nozzle 1 \$1,432.00

40040PA Alemlube 400L poly tank complete with 52000 12V diesel pump and automatic nozzle 1 \$1,276.00

40045P Alemlube 400L poly tank complete with 52000 12V diesel pump and manual nozzle 1 \$1,187.00



20068PA Alemlube 200L poly tank complete with 52004A 12V diesel pump and automatic nozzle 1 \$1,488.00

20080P Alemlube 200L poly tank complete with 52004 12V diesel pump and manual nozzle 1 \$1,398.00



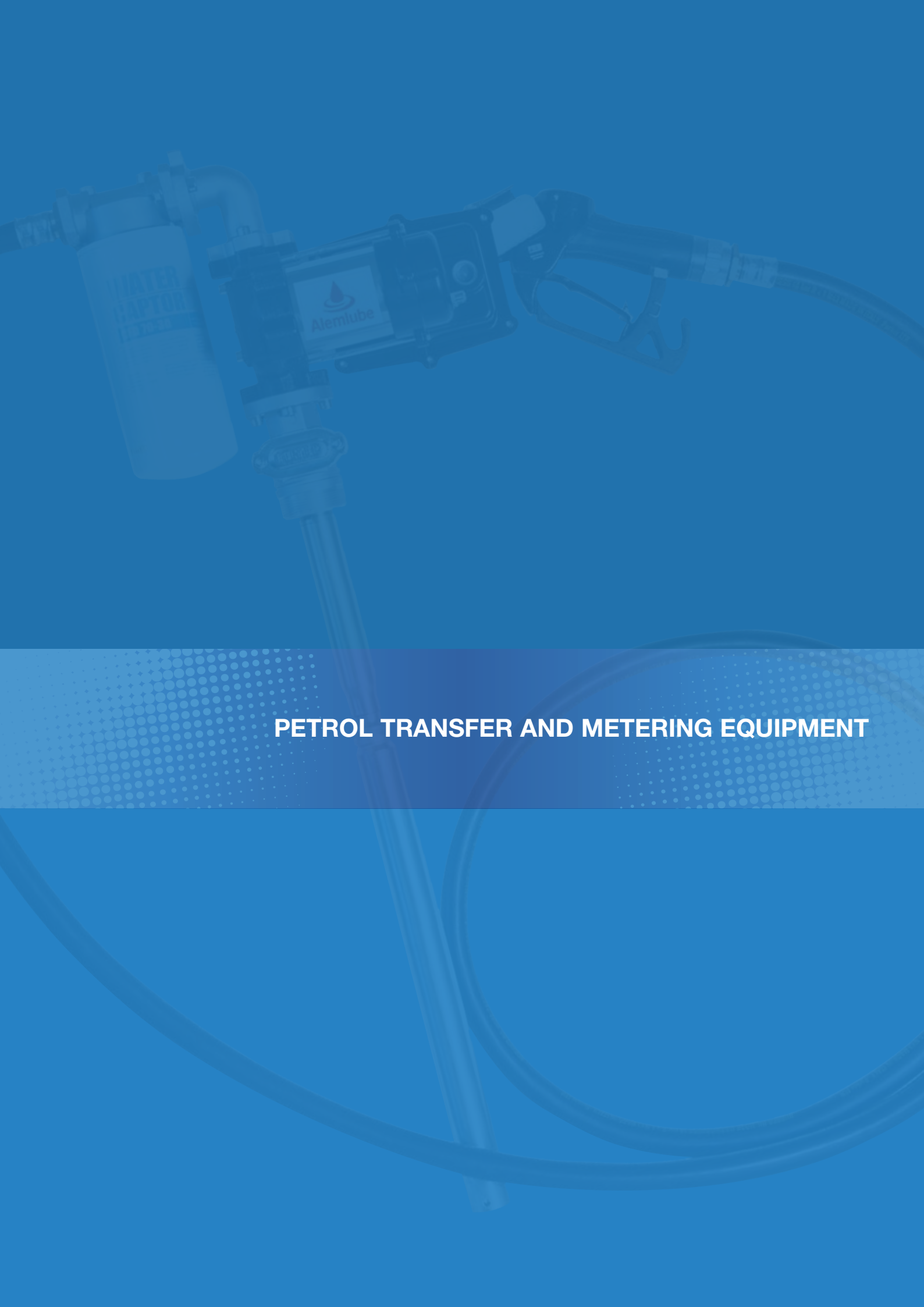
20049GA Alemlube 200L poly tank complete with M150SA 12V diesel pump and automatic nozzle 1 \$1,439.00

20056G Alemlube 200L poly tank complete with M150S 12V diesel pump and manual nozzle 1 \$1,349.00

20040PA Alemlube 200L poly tank complete with 52000 12V diesel pump and automatic nozzle 1 \$1,187.00



20045P Alemlube 200L poly tank complete with 52000 12V diesel pump and manual nozzle 1 \$1,097.00



PETROL TRANSFER AND METERING EQUIPMENT

3.1 ELECTRICALLY OPERATED PETROL & AVGAS TRANSFER DRUM & TANK PUMPS

D



| | | Box Qty. | Suggested List Price |
|----------------|---|----------|----------------------|
| 372010 | Piusi ATEX & IECEX certified 12V drum pump with auto shut off nozzle and filter, 50 L/min | 1 | \$1,093.00 |
| 371000 | Piusi ATEX & IECEX certified 12V tank pump only 50 L/min | 1 | \$772.00 |
| *374010 | Piusi ATEX & IECEX certified 240V drum pump with auto shut off nozzle and filter, 50L/min | 1 | \$1,309.00 |

3.2 HAND OPERATED PETROL & AVGAS TRANSFER DRUM PUMPS

C



| | | Box Qty. | Suggested List Price |
|---------------|---|----------|----------------------|
| 5080AN | Alemlube hispeed drum pump with antistatic hose, lockable nozzle & filter, 115 L/min | 5 | \$661.00 |
| 5060AN | Alemlube hispeed drum pump with antistatic hose, lockable nozzle & filter, 115 L/min | 5 | \$421.00 |
| 501A | Alemlube heavy duty rotary drum pump with cast alloy body and antistatic hose, 18 L/min | 5 | \$167.00 |

3.3 PETROL METERS

D



| | | Box Qty. | Suggested List Price |
|----------------|--|----------|----------------------|
| FM200 | GPI mechanical petrol meter, 1" inlet w/o filter, 75 L/min | 1 | \$356.00 |
| 51008P | Piusi 3 digit mechanical petrol meter, 1" inlet w/o filter, 120 L/min | 1 | \$410.00 |
| 01A12LM | GPI in-line electronic petrol meter, 1" inlet w/o filter, 100 L/min | 1 | \$289.40 |
| *408100 | Piusi in-line electronic petrol meter, 1" inlet w/o filter, 120 L/min, ATEX / IECEX approved | 1 | \$647.00 |

3.4 PETROL NOZZLES

D



| | | Box Qty. | Suggested List Price |
|---------------|---|----------|----------------------|
| 51039P | Alemlube auto shut off nozzle for petrol 120 L/min, 1" BSP swivel | 1 | \$304.00 |
| 51037P | Alemlube auto shut off nozzle for petrol 60 L/min, 1" BSP swivel | 1 | \$253.00 |
| 52155 | Alemlube manual nozzle for petrol 150 L/min, 1" BSP (f) swivel | 1 | \$54.50 |

3.5 PETROL NOZZLE INLET SWIVELS



502525



502025

| | | D | Box Qty. | Suggested List Price |
|---------------|---|----------|----------|----------------------|
| 512525 | Alemlube dual plane swivel, 1" BSP (m) x 1" BSP (f) | | 1 | \$100.20 |
| 512020 | Alemlube dual plane swivel, 3/4" BSP (m) x 3/4" BSP (f) | | 1 | \$77.00 |
| 502020 | Alemlube single plane swivel, 3/4" BSP (m) x 3/4" BSP (f) | | 1 | \$30.10 |
| 502025 | Alemlube single plane swivel, 3/4" BSP (m) x 1" BSP (f) | | 1 | \$51.00 |
| 502525 | Alemlube single plane swivel, 1" BSP (m) x 1" BSP (f) | | 1 | \$57.10 |
| 503232 | Alemlube single plane swivel, 1-1/2" BSP (m) x 1-1/2" BSP (f) | | 1 | \$102.40 |

3.6 PETROL FILTERS



611020



FA2

| | | D | Box Qty. | Suggested List Price |
|---------------|---|----------|----------|----------------------|
| 611200 | Piusi 1" petrol filter with clear bowl, 100L/min, 5µm | | 1 | \$150.20 |
| #FA2 | Alemlube 1" petrol filter with clear plastic bowl, 100L/min | | 1 | \$134.50 |
| 611110 | Piusi 1" petrol filter with steel bowl, 150L/min, 30µm, water absorbing | | 1 | \$268.80 |
| 611100 | Piusi 1" petrol filter with steel bowl, 70L/min, 30µm, water absorbing | | 1 | \$85.20 |
| 611020 | Piusi 611110 replacement filter cartridge | | 1 | \$110.60 |
| 611010 | Piusi 611100 replacement filter cartridge | | 1 | \$59.80 |
| PF10N | Alemlube FA2 replacement filter cartridge | | 1 | \$27.00 |

PF10N

3.7 PETROL HOSE AND HOSE TAIL



FTH1P



7764

Box Qty. Suggested List Price

| | | | |
|--------------|--|---|---------|
| FTH1P | Alemlube 1" petrol tank hose – per metre | 1 | \$16.70 |
| 7764 | Alemlube brass machined 1" BSP (m) x 1" ID hose tail | 1 | \$11.00 |

3.8 PETROL HOSE REELS



SHF-N-525



TSHF-N-550

Box Qty. Suggested List Price

| | | | |
|-------------------|---|---|------------|
| TSHF-N-650 | Coxreels 1" ID spring rewind hose reel - c/w 15m x 1" ID hose | 1 | \$2,691.00 |
| TSHF-N-635 | Coxreels 1" ID spring rewind hose reel - c/w 10m x 1" ID hose | 1 | \$2,328.00 |
| TSHF-N-575 | Coxreels 3/4" ID spring rewind hose reel - c/w 23m x 3/4" ID hose | 1 | \$2,910.00 |
| TSHF-N-550 | Coxreels 3/4" ID spring rewind hose reel - c/w 15m x 3/4" ID hose | 1 | \$2,116.00 |
| SHF-N-525 | Coxreels 3/4" ID spring rewind hose reel - c/w 8m x 3/4" ID hose | 1 | \$1,797.00 |

3.9 MOBILE POLY PETROL STORAGE AND DISPENSING KIT



6820HPN

Box Qty. Suggested List Price

| | | | |
|-----------------|--|---|----------|
| *6820HPN | Alemlube 68L mobile poly tank complete with rotary hand pump and manual nozzle | 1 | \$994.00 |
|-----------------|--|---|----------|



i DID YOU KNOW

The 372010 12V petrol and Avgas transfer drum pump has been designed and engineered to effectively and safely transfer flammable liquids such as petrol varieties ULP, PULP, E10 and aviation gas (Avgas). Easily connected to drums via a quick 2" BSP (m) bung adaptor the 372010 features fully-flanged components that can be fitted or replaced without the use of sealing paste making the connections quick and safe. The 372010 12V petrol and Avgas drum pump is explosion proof and has achieved both ATEX and IECEx certification.



OIL TRANSFER AND METERING EQUIPMENT

4.1 OIL CANS



Box Qty. Suggested List Price



5340

| | | | |
|-------------|---|----|---------|
| 5340 | Alemlube force feed oil can - 500mL capacity, rigid spout | 10 | \$10.60 |
|-------------|---|----|---------|

| | | | |
|-------------|---|----|---------|
| 5330 | Alemlube force feed oil can - 375mL capacity, rigid spout | 10 | \$10.40 |
|-------------|---|----|---------|

| | | | |
|-------------|---|----|---------|
| 5320 | Alemlube force feed oil can - 250mL capacity, rigid spout | 10 | \$10.20 |
|-------------|---|----|---------|



7340A

| | | | |
|--------------|--|----|---------|
| 7340A | Alemlube force feed oil can - 500mL capacity, flexible spout | 10 | \$11.40 |
|--------------|--|----|---------|

| | | | |
|-------------|--|----|---------|
| 7330 | Alemlube force feed oil can - 375mL capacity, flexible spout | 10 | \$11.10 |
|-------------|--|----|---------|

| | | | |
|-------------|--|----|---------|
| 7320 | Alemlube force feed oil can - 250mL capacity, flexible spout | 10 | \$10.90 |
|-------------|--|----|---------|

4.2 OIL SUCTION GUNS



Box Qty. Suggested List Price



21040

| | | | |
|--------------|--|----|---------|
| 21040 | Samoa oil suction gun for emptying and filling gear boxes and differentials – 530mL capacity | 10 | \$54.90 |
|--------------|--|----|---------|

| | | | |
|--------------|--|----|---------|
| 21041 | Samoa oil suction gun for emptying and filling gear boxes and differentials – 775mL capacity | 10 | \$71.60 |
|--------------|--|----|---------|

4.3 OIL GUNS



Box Qty. Suggested List Price



11402

| | | | |
|--------------|--|---|---------|
| 11402 | Alemlube pom pom action oil gun – 110mL capacity, polyamid | 6 | \$35.70 |
|--------------|--|---|---------|



11502

| | | | |
|--------------|---|---|----------|
| 11502 | Alemlube lever action oil gun – 300mL capacity, steel | 6 | \$147.20 |
|--------------|---|---|----------|

4.4 OIL MEASURES AND BOTTLES



| | | C | Box Qty. | Suggested List Price |
|----------------|---------------------------------------|---|----------|----------------------|
| 10000MF | Alemlube 10L capacity – rigid spout | | 1 | \$53.70 |
| 5000MFN | Alemlube 5L capacity – flexible spout | | 1 | \$45.10 |
| 2000MFN | Alemlube 2L capacity – flexible spout | | 1 | \$29.30 |
| 1000MFN | Alemlube 1L capacity – flexible spout | | 1 | \$23.50 |
| 5000MS | Alemlube 5L capacity | | 1 | \$42.00 |
| 2000MS | Alemlube 2L capacity | | 1 | \$27.10 |
| 500MS | Alemlube 0.5L capacity | | 1 | \$11.00 |
| 1000-OB | Alemlube 1000mL oil bottle | | 1 | \$16.00 |
| 500-OB | Alemlube 500mL oil bottle | | 1 | \$13.80 |

4.5 OIL FUNNELS



| | | C | Box Qty. | Suggested List Price |
|-----------------|---|---|----------|----------------------|
| 10430CF | Alemlube clean funnel, 1.4L capacity | | 1 | \$12.70 |
| 10350CF | Alemlube clean funnel, 1.4L capacity | | 1 | \$12.60 |
| 10270CF | Alemlube clean funnel, 1.15L capacity | | 1 | \$12.00 |
| 10220CF | Alemlube clean funnel, 0.45L capacity | | 1 | \$7.00 |
| 10225ASF | Alemlube anti-spill funnel, 225mm | | 1 | \$13.80 |
| 11000SFS | Alemlube 4 piece funnel set | | 1 | \$3.70 |
| 11160F | Alemlube standard funnel with curved spout, 160mm | | 1 | \$6.30 |
| 12250SFN | Alemlube standard funnel, 250mm | | 1 | \$8.90 |

4.6 OIL UTILITY PUMP

C



7701A

| | | Box Qty. | Suggested List Price |
|--------------|---|----------|----------------------|
| 7701A | Alemlube utility pump including 1L capacity container | 1 | \$24.80 |

4.7 DRUM TROLLIES, DOLLIES AND LIFTERS

D



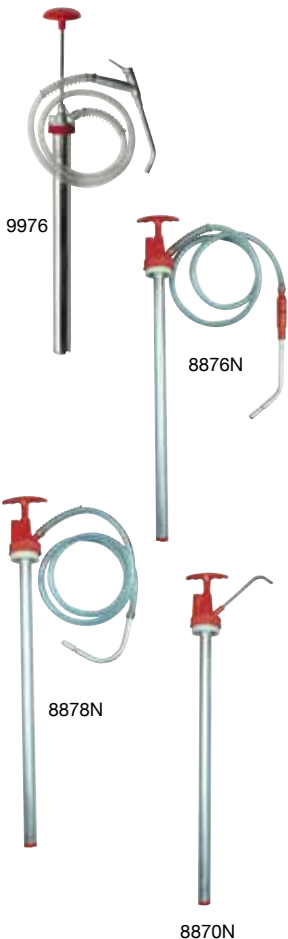
76100
*Drum not included

| | | Box Qty. | Suggested List Price |
|----------------|--|----------|----------------------|
| 80082 | Alemlube 20L/20kg standard duty drum dolly | 10 | \$74.80 |
| 430000 | Samoa 20L/20kg drum trolley | 1 | \$179.60 |
| 80096 | Alemlube standard duty 20L/20kg and 60L/55kg drum trolley | 10 | \$72.40 |
| 431000T | Samoa 60L/55kg drum trolley | 1 | \$257.20 |
| 432814 | Samoa deluxe 205L/180kg drum trolley with pneumatic front wheels and brake | 1 | \$1,278.00 |
| 432000 | Samoa 205L/180kg drum trolley | 1 | \$601.00 |
| 336899 | Alemite 205L/180kg drum dolly | 1 | \$701.00 |
| 80100 | Alemlube 205L/180kg drum dolly | 1 | \$115.90 |
| 80205 | Alemlube 205L drum rack | 1 | \$165.10 |
| 76000 | Alemlube horizontal 205L drum lifter | 1 | \$194.80 |
| 76100 | Alemlube vertical 205L drum lifter | 1 | \$194.80 |

4.8 HAND OPERATED OIL TRANSFER DRUM PUMPS



| 20L DRUM PUMPS | | Box Qty. | Suggested List Price |
|----------------|--|----------|----------------------|
| 306301 | Samoa heavy duty gear and engine oil drum pump with hose – lever action | 1 | \$196.80 |
| 9926 | Alemlube ATF drum pump with hose and filter – spring operated | 12 | \$209.80 |
| 9928 | Alemlube gear and engine oil drum pump with hose – spring operated | 12 | \$198.70 |
| 8826N | Alemlube ATF drum pump with hose and filter | 12 | \$80.90 |
| 10028 | Alemlube heavy duty gear and engine oil drum pump | 1 | \$130.60 |
| 8828N2 | Alemlube gear and engine oil drum pump with hose, Reike adaptor and downtube extension | 12 | \$60.90 |
| 8820N | Alemlube general purpose drum pump without hose | 12 | \$60.30 |



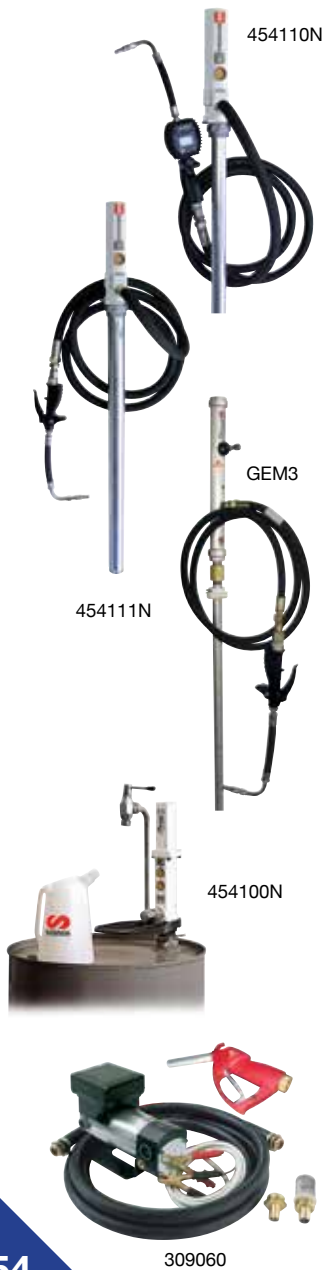
| 60L DRUM PUMPS | | Box Qty. | Suggested List Price |
|----------------|---|----------|----------------------|
| 306101 | Samoa heavy gear and engine oil pump with hose – lever action | 1 | \$196.80 |
| 9976 | Alemlube ATF pump with hose and filter – spring operated | 12 | \$193.10 |
| 9978 | Alemlube gear and engine oil pump with hose – spring operated | 12 | \$183.00 |
| 8876N | Alemlube ATF drum pump with hose and filter | 12 | \$89.10 |
| 8878N | Alemlube gear and engine oil drum pump with hose | 12 | \$74.60 |
| 8870N | Alemlube general purpose drum pump without hose | 12 | \$67.80 |



C

| 205L DRUM PUMPS | | Box Qty. | Suggested List Price |
|-----------------|--|----------|----------------------|
| 306401 | Samoa heavy gear oil pump with hose – lever action | 1 | \$212.10 |
| 304600 | Samoa lever action drum pump with hose | 8 | \$117.60 |
| 304500 | Samoa lever action drum pump without hose | 8 | \$108.40 |
| 2002G | Alemlube lever action drum pump with goose neck nozzle for filling oil bottles | 8 | \$122.60 |

4.9 AIR AND ELECTRICALLY OPERATED OIL TRANSFER KITS



D

| | | Box Qty. | Suggested List Price |
|---------|--|----------|----------------------|
| 455095 | Samoa 5:1 oil transfer kit for high viscosity oil with oil meter – 12 L/min | 1 | \$1,602.00 |
| 455094 | Samoa 5:1 oil transfer kit for high viscosity oil with on/off gun – 20 L/min | 1 | \$1,177.00 |
| 454110N | Samoa 3:1 oil transfer kit for low to medium viscosity oil with oil meter – 12 L/min | 1 | \$1,452.00 |
| 454111N | Samoa 3:1 oil transfer kit for low to medium viscosity oils with on/off gun – 15 L/min | 1 | \$973.00 |
| 454003N | Samoa 1:1 oil transfer kit for low to medium viscosity oil with on/off gun – 15 L/min | 1 | \$1,029.00 |
| 454100N | Samoa oil measure filler | 1 | \$1,110.00 |
| GEM2 | Samoa economy oil measure filler | 1 | \$746.00 |
| GEM3 | Samoa standard duty kit with on/off gun – 8 L/min | 1 | \$907.00 |
| GEM4 | Samoa oil pump with inline oil meter | 1 | \$1,370.00 |
| GEM5 | Samoa oil pump with end of line oil meter | 1 | \$1,370.00 |
| 309060 | Piusi 12V oil transfer kit with on/off gun – 10 L/min | 1 | \$1,056.00 |
| 310070 | Piusi 24V oil transfer kit with on/off gun – 10 L/min | 1 | \$1,056.00 |

4.10 OIL BAR EQUIPMENT



| | | D | |
|---------------|--|----------|----------------------|
| | | Box Qty. | Suggested List Price |
| 330100 | Samoa oil bar pump – 1:1 ratio | 1 | \$601.00 |
| 689000 | Piusi preset oil bar complete with one tap | 1 | \$1,615.00 |
| 361200 | Samoa oil bar complete with one tap | 1 | \$688.00 |
| 361201 | Samoa oil bar complete with two taps | 1 | \$811.00 |
| 361202 | Samoa oil bar complete with three taps | 1 | \$989.00 |
| 361203 | Samoa oil bar complete with four taps | 1 | \$1,144.00 |
| 361110 | Samoa oil bar tap | 1 | \$180.20 |

4.11 ENGINE DRIVEN OIL TRANSFER PUMP



| | | D | |
|----------------|--|----------|----------------------|
| | | Box Qty. | Suggested List Price |
| *390000 | Alemlube petrol driven 1-1/4" oil transfer pump - 500L/min | 1 | \$3,169.00 |

4.12 ELECTRICALLY OPERATED OIL TRANSFER BULK TANK PUMPS



| | | D | |
|---------------|---|----------|----------------------|
| | | Box Qty. | Suggested List Price |
| 305300 | Alemlube mobile high volume 240V oil transfer pump with carry handle – 50 L/min | 1 | \$5,460.00 |
| 305200 | Alemlube stationary high volume 240V oil transfer pump only – 50 L/min | 1 | \$4,923.00 |
| 561611 | Samoa stationary high volume 240V oil transfer pump only – 70 L/min | 1 | \$3,499.00 |
| 334900 | Piusi 240V oil transfer pump – 25 L/min | 1 | \$951.00 |
| 304100 | Piusi 240V oil transfer pump – 9 L/min | 1 | \$948.00 |
| 309010 | Piusi 12V oil transfer pump – 10 L/min | 1 | \$766.00 |
| 310010 | Piusi 24V oil transfer pump – 10 L/min | 1 | \$766.00 |

4.13 STANDARD DUTY AIR OPERATED OIL TRANSFER DRUM PUMPS



| 20L DRUM PUMPS | | Box Qty. | Suggested List Price |
|-------------------|---|----------|----------------------|
| 347120A | Samoa 5:1 ratio pump, 30 L/min | 1 | \$1,110.00 |
| 8560-A4-20 | Alemite Standard 'H' 4:1 ratio pump, 12 L/min | 1 | \$2,590.00 |
| 353120A | Samoa 3:1 ratio pump, 35 L/min | 1 | \$874.00 |
| 7216-20 | Alemite 1:1 ratio pump, 53 L/min | 1 | \$2,171.00 |
| 351120A | Samoa 1:1 ratio pump, 55 L/min | 1 | \$902.00 |



| 60L AND 205L DRUM PUMPS | | Box Qty. | Suggested List Price |
|-------------------------|--|----------|----------------------|
| 9971-B | Alemite RAM 10:1 ratio pump, 15 L/min | 1 | \$2,483.00 |
| 9969-B | Alemite RAM 5:1 ratio pump, 26 L/min | 1 | \$1,792.00 |
| 348120 | Samoa 5:1 ratio pump, 30 L/min | 1 | \$1,110.00 |
| 8569-B | Alemite Standard 'H', 4:1 ratio pump, 12 L/min | 1 | \$2,611.00 |
| 9919-B | Alemite RAM 3:1 ratio pump, 40 L/min | 1 | \$2,805.00 |
| 341120 | Samoa PM4 series 3:1 ratio pump, 42 L/min | 1 | \$1,324.00 |
| 354120 | Samoa PM2 series 3:1 ratio pump, 35 L/min | 1 | \$856.00 |
| 7216-4 | Alemite 1:1 ratio pump, 53 L/min | 1 | \$2,036.00 |
| 9917-B | Alemite RAM 1:1 ratio pump, 60 L/min | 1 | \$2,016.00 |
| 352120 | Samoa 1:1 ratio pump, 55 L/min | 1 | \$894.00 |
| GEM1 | Samoa 1:1 ratio pump, 8 L/min | 1 | \$682.00 |
| 601203 | Samoa 1:1 ratio coolant pump, 55 L/min | 1 | \$1,044.00 |

4.14 STANDARD DUTY AIR OPERATED OIL TRANSFER BULK TANK PUMPS



| STUB PUMPS | | Box Qty. | Suggested List Price |
|------------|--|----------|----------------------|
| 9970 | Alemite RAM 10:1 ratio pump, 15 L/min | 1 | \$2,368.00 |
| 9968 | Alemite RAM 5:1 ratio pump, 26 L/min | 1 | \$1,680.00 |
| 347120 | Samoa 5:1 ratio pump, 30 L/min | 1 | \$1,066.00 |
| 8568-A4 | Alemite Standard 'H', 4:1 ratio pump, 12 L/min | 1 | \$2,584.00 |
| 9918-A | Alemite RAM 3:1 ratio pump, 40 L/min | 1 | \$2,454.00 |
| 340120 | Samoa PM4 3:1 ratio pump, 42 L/min | 1 | \$1,284.00 |
| 353120 | Samoa PM2 3:1 ratio pump, 35 L/min | 1 | \$829.00 |
| 7222-B4 | Alemite 1:1 ratio pump, 53 L/min | 1 | \$2,431.00 |
| 9916-A | Alemite RAM 1:1 ratio pump, 60 L/min | 1 | \$1,902.00 |
| 351120 | Samoa 1:1 ratio pump, 55 L/min | 1 | \$862.00 |
| 601202 | Samoa 1:1 ratio coolant pump, 55 L/min | 1 | \$1,006.00 |

4.15 HEAVY DUTY AIR OPERATED OIL TRANSFER PUMPS

D



| 205L DRUM PUMPS | | Box Qty. | Suggested List Price |
|-----------------|---|----------|----------------------|
| 7783-A4 | Alemite 6:1 ratio pump, 4-1/4" air motor, 38 L/min | 1 | \$6,447.00 |
| 343025 | Samoa 10:1 ratio pump, 6" air motor, 40 L/min | 1 | \$3,819.00 |
| 7784-A4 | Alemite 25:1 ratio pump, 4-1/4" air motor, 19 L/min | 1 | \$5,111.00 |

D



| STUB PUMPS | | Box Qty. | Suggested List Price |
|------------|--|----------|----------------------|
| *536330 | Samoa 3:1 ratio pump, 4-1/2" air motor, 120 L/min | 1 | \$6,020.00 |
| 7783-C4 | Alemite 6:1 ratio pump, 4-1/4" air motor, 38 L/min | 1 | \$6,899.00 |
| *536630 | Samoa 6:1 ratio pump, 4-1/2" air motor, 95 L/min | 1 | \$5,646.00 |
| 343000 | Samoa 10:1 ratio pump, 6" air motor, 40 L/min | 1 | \$3,681.00 |
| *536030 | Samoa 10:1 ratio pump, 4-1/2" air motor, 65 L/min | 1 | \$3,988.00 |



DID YOU KNOW

The Samoa 536330 3:1 ratio oil transfer tank pump is an extremely durable transfer pump capable of flow rates of up to 120 L/min and operates up to a maximum oil pressure of 520psi (36 bar). The pneumatic motor has a very simple mechanism with only three moving parts and therefore less parts are subject to wear providing you with a dependable oil transfer solution. Suitable for dispensing lubricants in large installations including multiple dispensing points with simultaneous operation, the Samoa 536330 has no springs present in the mechanism which ensures a long service life and the mechanical end of stroke mechanism provides maximum reliability contributing to non-stalling operation. The double valve pump tube of this hard working oil pump ensures positive priming of all grades of oil and extensions can screw directly into the pump inlet valve allowing the pump to accommodate varied tank sizes.

4.16 IN-LINE OIL METERS



366726



K600N/30



366725



366850



366000



K200

| | | Box Qty. | Suggested List Price |
|-----------------|---|----------|----------------------|
| 366726 | Samoa electronic oil meter – 1" BSP inlet, 100 L/min | 1 | \$814.00 |
| 366060 | Samoa in-line high flow oil meter - 3/4" BSP inlet, 80 L/Min | 1 | \$777.00 |
| K600N/30 | Piusi electronic oil meter – 3/4" BSP inlet, 60 L/min | 1 | \$777.00 |
| 366725 | Samoa high volume electronic oil meter – 1/2" BSP inlet, 50 L/min | 1 | \$659.00 |
| 366850 | Samoa mechanical oil meter – 1/2" BSP inlet, 27 L/min | 1 | \$599.00 |
| *366000 | Samoa electronic oil meter – 1/2" BSP inlet, 25 L/min | 1 | \$599.00 |
| K200 | Piusi electronic oil meter – 1/8" BSP inlet, 2.5 L/min | 1 | \$876.00 |

4.17 OIL FILTERS



914900A



777200A



935900

| | | Box Qty. | Suggested List Price |
|----------------|--|----------|----------------------|
| 914900A | Piusi 1" oil filter, 100 L/min | 1 | \$130.50 |
| 777200A | Piusi 1" oil filter, 60L/min | 1 | \$63.10 |
| 935900 | Piusi 1" oil filter cartridge only, 100L/min | 1 | \$71.90 |
| 611000 | Piusi 1" oil filter cartridge only, 60L/min | 1 | \$35.40 |

4.18 HEAVY DUTY OIL HOSE REELS



8080-G



508225



7342



7371



8078-D

| HEAVY DUTY | | Box Qty. | Suggested List Price |
|------------|--|----------|----------------------|
| 8080-G | Alemite high capacity oil reel complete with 15m x 25mm ID hose | 1 | \$3,089.00 |
| 508225 | Samoa high capacity oil reel complete with 15m x 25mm ID hose | 1 | \$2,631.00 |
| 8080-F | Alemite high capacity oil reel complete with 25m x 19mm ID hose | 1 | \$3,249.00 |
| 8080-E | Alemite high capacity oil reel complete with 15m x 19mm ID hose | 1 | \$3,047.00 |
| 8080-H | Alemite high capacity oil reel complete with 30m x 12mm ID hose | 1 | \$2,924.00 |
| 7342 | Alemite 15m high capacity oil reel – bare, 1" NPT (f) | 1 | \$2,581.00 |
| 508925 | Samoa 15m high capacity oil reel – bare, 1" BSP (f) | 1 | \$2,011.00 |
| 7341 | Alemite 30m high capacity oil reel – bare, 1/2" NPT (f) | 1 | \$2,581.00 |
| 8078-H | Alemite severe duty oil reel complete with 15m x 12mm ID hose and hose and hose stop | 1 | \$2,242.00 |
| 8078-P | Alemite severe duty oil reel complete with 10m x 12mm ID hose and hose stop | 1 | \$2,063.00 |
| 7371 | Alemite 15m heavy duty oil reel – bare, 1/2" NPT (f) | 1 | \$1,609.00 |
| 8078-D | Alemite heavy duty oil reel complete with 15m x 12mm ID hose and hose stop | 1 | \$1,875.00 |
| 8078-C | Alemite heavy duty oil reel complete with 10m x 12mm ID hose and hose stop | 1 | \$1,697.00 |

D



505224N



505924



504200



507222



504299



506202



SOI700

| STANDARD DUTY | | Box Qty. | Suggested List Price |
|----------------|--|----------|----------------------|
| 505224N | Samoa open oil reel complete with 15m x 19mm ID hose and hose stop | 1 | \$2,163.00 |
| 505232 | Samoa open oil reel complete with 20m x 12mm ID hose and hose stop | 1 | \$2,063.00 |
| 505924 | Samoa 15m open oil reel – bare, 3/4" BSP (f) | 1 | \$1,610.00 |
| 504200 | Samoa 15m open oil reel complete with 15m x 12mm ID hose and hose stop | 1 | \$1,390.00 |
| 507222 | Samoa 15m covered oil reel complete with 15m x 12mm ID hose and hose stop | 1 | \$1,130.00 |
| 504299 | Samoa 15m open oil reel – bare, 1/2" BSP (f) | 1 | \$1,038.00 |
| 502204 | Samoa covered oil reel complete with 10m x 12mm ID hose and hose stop | 1 | \$1,251.00 |
| 502298 | Samoa 10m covered oil reel – bare, 1/2" BSP (f) | 1 | \$942.00 |
| 501200 | Samoa open oil reel complete with 10m x 12mm ID hose and hose stop | 1 | \$987.00 |
| 506202 | Samoa single arm open oil reel complete with 10m x 12mm ID hose and hose stop | 1 | \$575.00 |
| 501298 | Samoa 10m open oil reel – bare, 1/2" BSP (f) | 1 | \$852.00 |
| *SOI700 | Alemlube S Series oil reel complete with 10m x 12mm ID hose, hose stop and 0.9m lead in hose | 1 | \$456.00 |

4.19 END OF LINE OIL CONTROL VALVES



D

| NON METERING | | Box Qty. | Suggested List Price |
|---------------|---|----------|----------------------|
| 7498-A | Alemite oil control valve – flexible nozzle, 42 L/min | 1 | \$502.00 |
| 363114 | Samoa oil control valve – flexible nozzle, 25 L/min | 1 | \$248.40 |
| 7836-F | Alemite high volume oil control valve – flexible nozzle, 42 L/min | 1 | \$1,110.00 |
| 7498-C | Alemite high volume oil control valve – flexible nozzle, 52 L/min | 1 | \$672.00 |
| 363054 | Samoa high volume oil control valve – flexible nozzle, 3/4" BSP (f), 70 L/min | 1 | \$384.00 |
| 363051 | Samoa high volume oil control valve – rigid nozzle, 3/4" BSP (f), 70 L/min | 1 | \$453.00 |

D

| METERING | | Box Qty. | Suggested List Price |
|---------------|---|----------|----------------------|
| 365604 | Samoa electronic ATF meter | 1 | \$904.00 |
| 365534 | Samoa electronic engine or gear oil meter | 1 | \$868.00 |
| 365853 | Samoa mechanical engine or gear oil meter | 1 | \$868.00 |

D

| PRESET METERING | | Box Qty. | Suggested List Price |
|-----------------|---|----------|----------------------|
| 3698 | Alemlube mechanical preset meter, 0-60L | 1 | \$1,557.00 |
| 365300 | Samoa electronic preset meter, 0-99L | 1 | \$1,109.00 |

4.20 DRIP TRAY

D



| | | Box Qty. | Suggested List Price |
|---------------|-----------------------------------|----------|----------------------|
| 360127 | Samoa oil control valve drip tray | 1 | \$199.60 |

4.21 OIL TANK MONITORING GAUGE



755020

D

| | | Box Qty. | Suggested List Price |
|--------|---------------------------------|----------|----------------------|
| 755020 | Piusi oil tank monitoring gauge | 1 | \$1,189.00 |

4.22 OIL MONITORING EQUIPMENT

D



381352



381500



381600



381950



382100



382120



389013

| | | Box Qty. | Suggested List Price |
|---------|--|----------|----------------------|
| *381351 | Samoa Basic interface software | 1 | \$2,250.00 |
| *381352 | Samoa Professional interface software | 1 | \$3,337.00 |
| *381353 | Samoa Premium interface software | 1 | \$4,735.00 |
| *381000 | Samoa access keypad without printer | 1 | \$2,129.00 |
| *381500 | Samoa flow control unit consisting of solenoid and pulse meter | 1 | \$1,265.00 |
| *381953 | Samoa flow control unit cable connectors | 1 | \$140.00 |
| *381600 | Samoa application software memory module | 1 | \$1,310.00 |
| *381950 | Samoa keypad connecting cable | 1 | \$11.00 |
| *382100 | Samoa oil tank manager (up to 4 tanks per unit) | 1 | \$2,645.00 |
| *382120 | Samoa oil tank level probe | 1 | \$1,221.00 |
| *389013 | Samoa pump control air solenoid valve | 1 | \$311.00 |



DID YOU KNOW

Alemlube completed the commissioning of one of its largest workshop fitouts at the WesTrac CAT facility in Tomago near Newcastle, NSW. This facility is the biggest CAT dealer workshop in the Southern Hemisphere and has 5 separate workshop buildings spread over the 23 Hectare site. The storage, pumping, reticulation, filtration, dispensing and monitoring system that was designed and installed by Alemlube dispenses 10 different oils plus coolant and diesel through 170 hose reels hung from 30 gantries situated across the 5 workshops. Every oil dispensing point is monitored and fully integrated with the WesTrac Management System using the world famous Oilwatch system from Permex and is one of the biggest monitoring systems currently in use globally. The oil is stored in tanks ranging from 1,000L to 12,000L, all with tank monitoring systems integrated into the Oilwatch system. After being filtered to stringent CAT 5 star specifications, the oil is pumped by high capacity Alemite pumps through 9 km of stainless steel pipework to the dispensing points. Truly a benchmark achievement.

4.23 HEAVY DUTY MOBILE OIL KITS

D



378110N



378110N



228901



263220



376610

Box Qty. Suggested List Price

| WITH HOSE REEL | | Box Qty. | Suggested List Price |
|----------------|---|----------|----------------------|
| 378901 | Samoa kit with electronic preset oil meter and covered reel | 1 | \$5,091.00 |
| *228901 | Alemlube kit with electronic preset oil meter and 10m S Series hose reel, SOI700 - covered | 1 | \$3,036.00 |
| 378701 | Samoa kit with electronic oil meter and open reel | 1 | \$4,948.00 |
| 378301 | Samoa kit with on/off oil control valve and covered reel | 1 | \$3,951.00 |
| *228301 | Alemlube kit with on/off oil control valve and 10m S Series hose reel, SOI700 - covered | 1 | \$2,209.00 |
| 378110N | Samoa kit with high volume pump, electronic oilmeter and 15m hose reel, 504200 - open reel | 1 | \$5,184.00 |
| 378100N | Samoa kit with high volume pump, electronic oil meter and 10m hose reel, 506202 - open reel | 1 | \$2,808.00 |
| *228701 | Alemlube kit with electronic oil meter and 10m S Series hose reel, SOI700 - covered | 1 | \$2,805.00 |

D

Box Qty. Suggested List Price

| WITHOUT HOSE REEL | | Box Qty. | Suggested List Price |
|-------------------|---|----------|----------------------|
| 263220 | Piusi kit with electronic preset oil meter - 12V | 1 | \$4,331.00 |
| 376810 | Samoa kit with electronic preset oil meter - air operated | 1 | \$2,344.00 |
| 263210 | Piusi kit with electronic oil meter - 12V | 1 | \$4,119.00 |
| 376610 | Samoa kit with electronic oil meter - air operated complete with heavy duty Samoa deluxe 205L drum trolley (432814) | 1 | \$3,224.00 |
| 376600 | Samoa kit with electronic oil meter - air operated 3:1 drum pump and Samoa 205L/180kg drum trolley (432000) | 1 | \$2,234.00 |
| 263200 | Piusi kit with on/off oil control valve - 12V | 1 | \$3,478.00 |
| 376410 | Samoa kit with on/off oil control valve - air operated | 1 | \$2,132.00 |

4.24 STATIONARY OIL TRANSFER SYSTEMS

D



454600N

Box Qty. Suggested List Price

| | | | |
|----------------|---|---|------------|
| 454601N | Samoa stationary oil transfer system including 3:1 pump, 10m open hose reel and electronic preset meter | 1 | \$3,096.00 |
| 454600N | Samoa stationary oil transfer system including 3:1 pump, 10m open hose reel and electronic oil meter | 1 | \$2,848.00 |
| 454599N | Samoa stationary oil transfer system including 3:1 pump, 10m open hose reel and on/off oil gun | 1 | \$2,197.00 |

4.25 IBC OIL DISPENSING KITS

D



454697C

Box Qty. Suggested List Price

| | | | |
|----------------|---|---|------------|
| 454697C | Samoa IBC oil dispensing kit with pump, hose reel, oil meter and pallean - side mount | 1 | \$4,099.00 |
| 454697 | Samoa IBC oil dispensing kit with pump, hose reel and oil meter - side mount | 1 | \$3,570.00 |
| 454695C | Samoa IBC oil dispensing kit with pump, hose reel, oil meter and pallean - top mount | 1 | \$4,048.00 |
| 454695 | Samoa IBC oil dispensing kit with pump, hose reel and oil meter - top mount | 1 | \$3,620.00 |
| 454694 | Samoa IBC oil dispensing kit with hose reel and on/off oil control valve | 1 | \$2,833.00 |
| 454150 | Samoa IBC oil dispensing kit with oil meter but without hose reel | 1 | \$2,099.00 |
| 454149 | Samoa IBC oil dispensing kit with on/off control valve but without hose reel | 1 | \$1,450.80 |



454695C

4.26 OIL STORAGE, DISPENSING AND METERING KITS

D



656110



656003

| | | Box Qty. | Suggested List Price |
|---------------|--|----------|----------------------|
| 656110 | Alemlube 1,000L twin skinned oil tank with 3:1 ratio pump and electronic oil meter | 1 | \$4,317.00 |
| 656111 | Alemlube 1,000L twin skinned oil tank with 3:1 ratio pump and on/off oil control valve | 1 | \$3,836.00 |
| 656003 | Alemlube 1,000L twin skinned oil tank with 1:1 ratio pump and on/off control valve | 1 | \$3,812.00 |
| 545110 | Alemlube 400L twin skinned oil tank with 3:1 ratio pump and electronic oil meter | 1 | \$3,471.00 |
| 545111 | Alemlube 400L twin skinned oil tank with 3:1 ratio pump and on/off oil control valve | 1 | \$3,006.00 |
| 545003 | Alemlube 400L twin skinned oil tank with 1:1 ratio pump and on/off oil control valve | 1 | \$3,045.00 |

4.27 TWIN SKINNED OIL TANKS

D



75490



73910

| | | Box Qty. | Suggested List Price |
|--------------|--|----------|----------------------|
| 75490 | Alemlube 1,500L capacity twin skinned oil tank | 1 | \$5,114.00 |
| 73920 | Alemlube 1,000L capacity twin skinned oil tank | 1 | \$2,920.00 |
| 73910 | Alemlube 750L capacity twin skinned oil tank | 1 | \$2,543.00 |
| 75460 | Alemlube 400L capacity twin skinned oil tank | 1 | \$2,050.00 |

4.28 HOSE REEL GANTRIES

D



| | | Box Qty. | Suggested List Price |
|----------------|--|----------|----------------------|
| 360165 | Samoa hose reel gantry – 6 hose reels mounting frame | 1 | \$4,992.00 |
| 360160N | Samoa hose reel gantry – 6 hose reels mounting frame includes paper roll support and drip collector tray | 1 | \$4,985.00 |
| 360162 | Samoa hose reel gantry – 3 hose reels mounting frame includes a drip collector tray | 1 | \$4,483.00 |
| *29306 | Alemlube hose reel gantry and storage cabinet - 6 hose reels | 1 | \$3,245.00 |
| *29304 | Alemlube hose reel gantry and storage cabinet - 4 hose reels | 1 | \$2,812.00 |
| *39203 | Alemlube hose reel column stand - 3 hose reels | 1 | \$811.00 |
| *39201 | Alemlube hose reel column stand - 1 hose reel | 1 | \$514.00 |

• Hose reels not included

4.29 WORK STATIONS AND WORK BENCHES

D



| | | Box Qty. | Suggested List Price |
|-------------------------|-------------------------------|----------|----------------------|
| *WBWS20-023 | Two cabinet work station | 1 | \$11,542.00 |
| *WBWS15-013 | Single cabinet work station | 1 | \$5,876.00 |
| *WBWS20-004 | 2 metre wide work bench | 1 | \$4,132.00 |
| *WBWS15-007 | 1.5 metre wide work bench | 1 | \$2,923.00 |
| *WB-H1000/9007 | Upper cupboard - 1 metre long | 1 | \$1,415.00 |
| *WB-WP 2000/9007 | Shadow board | 1 | \$708.00 |

4.30 OIL TANKS



650LT



1500LT



3000LT



| | | Box Qty. | Suggested List Price |
|----------------|-----------------------------|----------|----------------------|
| *650LT | 650L single skin oil tank | 1 | \$1,660.00 |
| *1000LT | 1,000L single skin oil tank | 1 | \$2,210.00 |
| *1500LT | 1,500L single skin oil tank | 1 | \$2,890.00 |
| *2000LT | 2,000L single skin oil tank | 1 | \$4,010.00 |
| *3000LT | 3,000L single skin oil tank | 1 | \$5,690.00 |

4.31 OIL HOSE ASSEMBLIES



317825-8



317925-50



318025-20

| | | Box Qty. | Suggested List Price |
|------------------|---------------------------------------|----------|----------------------|
| 317825-8 | Alemlube 12mm ID oil hose – 2.4m long | 1 | \$106.00 |
| 317825-10 | Alemlube 12mm ID oil hose – 3m long | 1 | \$115.40 |
| 317825-20 | Alemlube 12mm ID oil hose – 6m long | 1 | \$180.70 |
| 317825-30 | Alemlube 12mm ID oil hose – 10m long | 1 | \$243.20 |
| 317825-40 | Alemlube 12mm ID oil hose – 13m long | 1 | \$314.00 |
| 317825-50 | Alemlube 12mm ID oil hose – 15m long | 1 | \$383.00 |
| 317925-8 | Alemlube 19mm ID oil hose – 2.4m long | 1 | \$144.70 |
| 317925-10 | Alemlube 19mm ID oil hose – 3m long | 1 | \$187.00 |
| 317925-20 | Alemlube 19mm ID oil hose – 6m long | 1 | \$261.10 |
| 317925-30 | Alemlube 19mm ID oil hose – 10m long | 1 | \$376.00 |
| 317925-40 | Alemlube 19mm ID oil hose – 13m long | 1 | \$406.00 |
| 317925-50 | Alemlube 19mm ID oil hose – 15m long | 1 | \$582.00 |
| 318025-8 | Alemlube 25mm ID oil hose – 2.4m long | 1 | \$277.10 |
| 318025-10 | Alemlube 25mm ID oil hose – 3m long | 1 | \$305.00 |
| 318025-20 | Alemlube 25mm ID oil hose – 6m long | 1 | \$418.00 |
| 318025-30 | Alemlube 25mm ID oil hose – 10m long | 1 | \$570.00 |
| 318025-40 | Alemlube 25mm ID oil hose – 13m long | 1 | \$660.00 |
| 318025-50 | Alemlube 25mm ID oil hose – 15m long | 1 | \$703.00 |

4.32 MISCELLANEOUS OIL TRANSFER PRODUCTS AND ACCESSORIES

D



| | | Box Qty. | Suggested List Price |
|------------------|--|----------|----------------------|
| 364001 | Samoa oil control valve swivel – 1/2" BSP | 1 | \$50.90 |
| 308775 | Alemite grease line shut off valve - 1/4" NPT | 1 | \$210.70 |
| 308785 | Alemite oil line shut off valve - 1/2" NPT | 1 | \$212.40 |
| 318003 | Alemlube drum bung spanner | 1 | \$19.50 |
| 318002 | Alemlube quick connect/disconnect 205L gravity drum valve, 2" BSP | 1 | \$408.00 |
| 318001 | Alemlube gravity drum valve for 205L oil drums, 2" BSP with spring loaded push valve | 1 | \$43.60 |
| 318008 | Alemlube drum level measuring gauge | 1 | \$96.40 |
| *318004 | Alemlube low volume lubricants drum valve for 20L drums | 1 | \$10.20 |
| 380372-A1 | Alemite oil filter, Y-type – 1/2" NPT – 40 micron | 1 | \$339.00 |
| 380372-B1 | Alemite grease filter, Y-type – 1/2" NPT –138 micron | 1 | \$339.00 |
| 326463-A1 | Alemite strainer, for old style 9911 and 9950 pumps | 1 | \$217.70 |
| 326463-B1 | Alemite strainer, for 9911, 9950 and 9940 pumps | 1 | \$217.70 |
| 326432 | Alemite strainer, for heavy duty pumps | 1 | \$340.00 |
| 88-RA | Alemlube Reike 20L drum bung adaptor | 10 | \$10.80 |
| 307980 | Alemlube surge eliminator | 1 | \$256.50 |
| 28513 | Alemlube air shut off regulator, needle type, 1/4" BSP (m) x 1/4" BSP (f) | 1 | \$47.20 |
| 360102 | Samoa wall mounting bracket for most air operated pumps for bulk tanks | 1 | \$108.50 |
| 367015 | Samoa suction tube for wall mounted pumps to a depth of 1200mm | 1 | \$443.00 |
| 362913 | Samoa thermal expansion valve for 5:1 pumps | 1 | \$164.00 |
| 362912 | Samoa thermal expansion valve for 1:1 and 3:1 ratio pumps | 1 | \$164.00 |
| 609007 | Samoa thermal expansion valve for 1:1, 3:1 and 5:1 ratio pumps | 1 | \$40.50 |
| 360115 | Samoa 3 hose reel mounting bracket | 1 | \$207.60 |
| 360117 | Samoa 5 hose reel mounting bracket | 1 | \$416.00 |

• Hose reels and control valves not included



**AIR, WATER AND OXY-ACETYLENE TRANSFER
& METERING EQUIPMENT**

5.1 BRAKE FLUID TRANSFER AND BRAKE CLEANING SPRAY EQUIPMENT

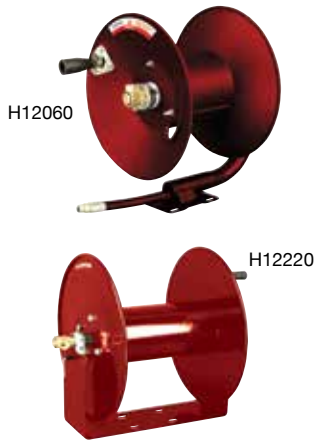
C



| | | Box Qty. | Suggested List Price |
|---------------|---|----------|----------------------|
| 8848N | Alemlube brake fluid 20L drum pump | 12 | \$126.20 |
| *6603A | Alemlube brake cleaner fluid sprayer with viton seals - 1.5L capacity | 1 | \$50.30 |

5.2 AIR AND WATER HAND REWIND HOSE REELS

D



| | | Box Qty. | Suggested List Price |
|---------------|--|----------|----------------------|
| H12220 | Alemlube economy hand rewind hose reel, 12mm ID x 75m capacity – open | 1 | \$326.00 |
| H12060 | Alemlube economy hand rewind hose reel, 12mm ID x 20m capacity – open | 1 | \$209.80 |
| H10300 | Alemlube economy hand rewind hose reel, 10mm ID x 100m capacity – open | 1 | \$326.00 |
| H10120 | Alemlube economy hand rewind hose reel, 10mm ID x 40m capacity – open | 1 | \$209.80 |

5.3 AIR HOSE REELS

D



| | | Box Qty. | Suggested List Price |
|----------------|--|----------|----------------------|
| 8080-G | Alemite high capacity reel, 15m x 25mm ID hose | 1 | \$3,089.00 |
| 508225 | Samoa high capacity reel, 15m x 25mm ID hose | 1 | \$2,631.00 |
| 8080-F | Alemite high capacity reel, 25m x 19mm ID hose | 1 | \$3,249.00 |
| 505224N | Samoa high volume heavy duty hose reel, 15m x 19mm ID hose | 1 | \$2,163.00 |
| 505232 | Samoa high volume heavy duty hose reel, 20m x 12mm ID hose | 1 | \$2,063.00 |
| 504100 | Samoa standard duty, 15m x 12mm ID hose - open | 1 | \$1,259.00 |



| | | Box Qty. | Suggested List Price |
|----------------|---|----------|----------------------|
| AS1090 | Alemlube standard duty, 30m x 10mm ID hose | 1 | \$430.00 |
| 507122 | Samoa standard duty, 15m x 12mm ID hose | 1 | \$1,283.00 |
| 507121 | Samoa standard duty, 15m x 10mm ID hose | 1 | \$1,156.00 |
| 502101 | Samoa standard duty, 13m x 10mm ID hose | 1 | \$1,038.00 |
| 502104 | Samoa standard duty, 12m x 10mm ID hose | 1 | \$919.00 |
| 501100 | Samoa standard duty, 10m x 10mm ID hose | 1 | \$841.00 |
| 506101 | Samoa single arm, 10m x 10mm ID hose | 1 | \$520.00 |
| AWS812 | Alemlube compact hose reel, 12m x 8mm ID – also suitable for water | 1 | \$554.00 |
| AWP1215 | Alemlube hose reel, 15m x 12mm ID – also suitable for water | 1 | \$473.00 |
| SA400N | Alemlube S Series hose reel, 15m x 12mm ID hybrid polymer hose | 1 | \$279.20 |
| SAW200 | Alemlube S Series hose reel, 13m x 12mm ID PVC hose – also suitable for water | 1 | \$221.40 |
| AWP1014 | Alemlube hose reel, 14m x 10mm ID – also suitable for water | 1 | \$355.00 |
| SA300N | Alemlube S Series hose reel, 18m x 10mm ID hybrid polymer hose | 1 | \$262.50 |
| SAW100 | Alemlube S Series hose reel, 16m x 10mm ID PVC hose – also suitable for water | 1 | \$211.40 |
| AP1009 | Alemlube compact hose reel, 9m x 10mm ID | 1 | \$110.40 |
| AWP809 | Alemlube compact hose reel, 9m x 8mm ID – also suitable for water | 1 | \$335.00 |
| AP609 | Alemlube compact hose reel, 9m x 6mm ID | 1 | \$106.90 |

5.4 WATER HOSE REELS



| | | Box Qty. | Suggested List Price |
|----------------|---|----------|----------------------|
| 504400 | Samoa open standard duty, 15m x 10mm ID hose – high pressure wash down – open | 1 | \$1,173.00 |
| 507421 | Samoa covered standard duty, 15m x 10mm ID hose - high pressure hose down | 1 | \$1,156.00 |
| WP1290 | Alemlube high capacity hose reel, 30m x 12mm ID hose – covered | 1 | \$316.00 |
| SW500N | Alemlube S Series hose reel, 18m x 12mm ID polyurethane hose | 1 | \$285.90 |
| SGRW510 | Alemlube S Series garden hose reel, 16m x 12mm ID PVC hose | 1 | \$224.00 |



| | | | |
|---------------------|--|---|------------|
| SHW520 | Alemlube S Series hot wash hose reel, 12m x 10mm ID rubber hose | 1 | \$368.00 |
| 506421 | Samoa single arm hose reel, 15m x 10mm ID hose – high pressure washdown reel | 1 | \$818.00 |
| 506101 | Samoa single arm hose reel, 10m x 10mm ID hose | 1 | \$520.00 |
| P-LPL-335-SS | Coxreels, 11m x 10mm ID capacity, stainless steel, bare – hand rewind | 1 | \$1,725.00 |
| 117-5-100-SS | Coxreels, 30m x 19mm ID capacity, stainless steel, bare – hand rewind | 1 | \$3,062.00 |

5.5 OXY-ACETYLENE HOSE REELS



| | | D | |
|--------------|---|----------|----------------------|
| | | Box Qty. | Suggested List Price |
| OS615 | Alemlube 15m x 6mm ID oxy-acetylene hose – open | 1 | \$494.00 |
| SO600 | Alemlube S Series 15m x 6mm ID oxy-acetylene hose – covered | 1 | \$469.00 |

5.6 HOSE REEL HOSE STOPS



| | | D | |
|-----------------|---|----------|----------------------|
| | | Box Qty. | Suggested List Price |
| 337437 | Alemite hose stop to suit 1/2" ID hose | 1 | \$32.10 |
| 339389 | Alemite hose stop to suit 3/4" ID hose | 1 | \$81.30 |
| 339389-1 | Alemite hose stop to suit 1" ID hose | 1 | \$93.30 |
| 20215 | Coxreels hose stop to suit 1-1/4" ID hose | 1 | \$167.30 |
| 20216 | Coxreels hose stop to suit 1-1/2" ID hose | 1 | \$170.70 |

5.7 LOW PRESSURE AIR AND WATER HOSE ASSEMBLIES

D

Box Qty. Suggested List Price



317803-40



317804-8

| | | | |
|------------------|---|---|----------|
| 317803-6 | Alemlube 10mm ID air and water hose – 2m long | 1 | \$107.60 |
| 317803-8 | Alemlube 10mm ID air and water hose – 2.4m long | 1 | \$125.10 |
| 317803-10 | Alemlube 10mm ID air and water hose – 3m long | 1 | \$135.40 |
| 317803-20 | Alemlube 10mm ID air and water hose – 6m long | 1 | \$177.70 |
| 317803-30 | Alemlube 10mm ID air and water hose – 10m long | 1 | \$239.10 |
| 317803-40 | Alemlube 10mm ID air and water hose – 13m long | 1 | \$285.80 |
| 317803-50 | Alemlube 10mm ID air and water hose – 15m long | 1 | \$353.00 |
| 317804-6 | Alemlube 12mm ID air and water hose – 2m long | 1 | \$123.30 |
| 317804-8 | Alemlube 12mm ID air and water hose – 2.4m long | 1 | \$153.90 |
| 317804-10 | Alemlube 12mm ID air and water hose – 3m long | 1 | \$166.20 |
| 317804-20 | Alemlube 12mm ID air and water hose – 6m long | 1 | \$268.70 |
| 317804-30 | Alemlube 12mm ID air and water hose – 10m long | 1 | \$358.00 |
| 317804-40 | Alemlube 12mm ID air and water hose – 13m long | 1 | \$428.00 |
| 317804-50 | Alemlube 12mm ID air and water hose – 15m long | 1 | \$472.00 |

5.8 AIR LINE ACCESSORIES

C

Box Qty. Suggested List Price



6608



6604

| F, L, R COMBINATION UNITS | | Box Qty. | Suggested List Price |
|---------------------------|---|----------|----------------------|
| 6608 | Alemlube 1/2" filter, lubricator and regulator with gauge | 1 | \$225.60 |
| 6606 | Alemlube 3/8" filter, lubricator and regulator with gauge | 1 | \$220.00 |
| 6604 | Alemlube 1/4" filter, lubricator and regulator with gauge | 1 | \$210.40 |



5508

| F, R COMBINATION UNITS | | Box Qty. | Suggested List Price |
|------------------------|---|----------|----------------------|
| 5508 | Alemlube 1/2" filter and regulator with gauge | 1 | \$145.50 |
| 5506 | Alemlube 3/8" filter and regulator with gauge | 1 | \$142.70 |
| 5504 | Alemlube 1/4" filter and regulator with gauge | 1 | \$137.80 |



4406

| AIR LINE REGULATORS WITH GAUGE | | Box Qty. | Suggested List Price |
|--------------------------------|---------------------------|----------|----------------------|
| 4408 | Alemlube 1/2" BSP porting | 1 | \$100.90 |
| 4406 | Alemlube 3/8" BSP porting | 1 | \$96.20 |
| 4404 | Alemlube 1/4" BSP porting | 1 | \$91.50 |



3306A

| AIR LINE LUBRICATORS | | Box Qty. | Suggested List Price |
|----------------------|---------------------------|----------|----------------------|
| 3308A | Alemlube 1/2" BSP porting | 1 | \$72.40 |
| 3306A | Alemlube 3/8" BSP porting | 1 | \$68.90 |
| 3304A | Alemlube 1/4" BSP porting | 1 | \$64.00 |



2206

| AIR LINE FILTERS | | Box Qty. | Suggested List Price |
|------------------|---|----------|----------------------|
| 2208 | Alemlube 1/2" BSP porting, manual drain | 1 | \$67.60 |
| 2206 | Alemlube 3/8" BSP porting, manual drain | 1 | \$64.00 |
| 2204A | Alemlube 1/4" BSP porting, manual drain | 1 | \$61.00 |



DID YOU KNOW

The new Alemlube petrol and diesel driven transfer pumps are specifically designed and manufactured for the transfer of diesel fuel, petrol and water. The robust transfer pumps suit many industrial, workshop, agricultural, municipal, marine services, fire fighting and on construction site applications.

5.9 WATER METERS



TM400



TM200



01N12LM



407010N2



366010

| | | D | Box Qty. | Suggested List Price |
|------------------|--|----------|----------|----------------------|
| TM400 | GPI 4" water meter – spigot ends – 2271 L/min | | 1 | \$1,633.00 |
| TM300 | GPI 3" water meter – spigot ends – 1514 L/min | | 1 | \$1,533.00 |
| TM200 | GPI 2" water meter – spigot ends – 760 L/min | | 1 | \$972.00 |
| TM150 | GPI 1-1/2" water meter – spigot ends – 380 L/min | | 1 | \$901.00 |
| *WMMJC-40 | GPI 1-1/2" threaded water meter – mechanical totaliser – 330 L/min | | 1 | \$802.00 |
| TM100 | GPI 1" water meter – spigot ends – 190 L/min | | 1 | \$569.00 |
| 01N12LM | GPI electronic water meter, 1" BSP (f) inlet – 100 L/min | | 1 | \$360.00 |
| #407010N2 | Piusi electronic water meter, 1" BSP (f) inlet – 120 L/min | | 1 | \$687.00 |
| TM075 | GPI 3/4" water meter – spigot ends – 76 L/min | | 1 | \$636.00 |
| *366010 | Samoa electronic water meter, 1/2" BSP inlet – 50 L/min | | 1 | \$620.00 |
| TM050 | GPI 1/2" water meter – spigot ends – 38 L/min | | 1 | \$623.00 |

5.10 TYRE INFLATORS



52114



53110



50114



51114



51201N

| | | C | Box Qty. | Suggested List Price |
|---------------|---|----------|----------|----------------------|
| 53116 | Alemlube automatic commercial vehicle tyre inflator with pedestal and hose reel | | 1 | \$946.00 |
| 53114 | Alemlube automatic commercial vehicle tyre inflator with pedestal and hose assembly | | 1 | \$756.00 |
| 53110 | Alemlube automatic commercial vehicle wall mounted tyre inflator | | 1 | \$654.00 |
| 52114 | Alemlube automatic car & light commercial vehicle tyre inflator | | 1 | \$395.00 |
| 51114 | Alemlube digital tyre inflator with gauge | | 1 | \$113.50 |
| *50114 | Alemlube mini digital tyre inflator with case | | 1 | \$88.20 |
| 51201N | Alemlube mechanical tyre inflator with gauge | | 1 | \$145.90 |

5.11 WATER AND FIRE FIGHTING ENGINE PUMPS

D

DW401060



PW301000



PW20450



PW15300



DW401060KS



PW301000KS



Box Qty. Suggested List Price

PULL START

| | | | |
|-----------------|---|---|------------|
| PW401500 | Alemlube petrol driven 4" water transfer pump | 1 | \$1,212.00 |
| DW401060 | Alemlube diesel driven 4" water transfer pump | 1 | \$1,980.00 |
| PW301000 | Alemlube petrol driven 3" water transfer pump | 1 | \$597.00 |
| DW301000 | Alemlube diesel driven 3" water transfer pump | 1 | \$1,567.00 |
| PW20450 | Alemlube petrol driven 2" water transfer pump | 1 | \$516.00 |
| DW20500 | Alemlube diesel driven 2" water transfer pump | 1 | \$1,363.00 |
| PW15300 | Alemlube petrol driven 1-1/2" water transfer pump | 1 | \$476.00 |
| PW10120 | Alemlube petrol driven 1" water transfer pump | 1 | \$405.00 |

D

Box Qty. Suggested List Price

KEY START

| | | | |
|-------------------|---|---|------------|
| PW401500KS | Alemlube petrol driven 4" water transfer pump | 1 | \$1,418.00 |
| DW401060KS | Alemlube diesel driven 4" water transfer pump | 1 | \$2,308.00 |
| PW301000KS | Alemlube petrol driven 3" water transfer pump | 1 | \$762.00 |
| DW301000KS | Alemlube diesel driven 3" water transfer pump | 1 | \$1,886.00 |
| PW20450KS | Alemlube petrol driven 2" water transfer pump | 1 | \$678.00 |
| DW20500KS | Alemlube diesel driven 2" water transfer pump | 1 | \$1,679.00 |

5.11 WATER AND FIRE FIGHTING ENGINE PUMPS



DWFF15300

| FIRE FIGHTING - PULL START | | Box Qty. | Suggested List Price |
|----------------------------|--|----------|----------------------|
| DWFF15300 | Alemlube diesel driven 1-1/2" fire fighting pump | 1 | \$1,614.00 |
| DWFF20500 | Alemlube diesel driven 2" fire fighting pump | 1 | \$1,908.00 |
| PWFF20500 | Alemlube petrol driven 2" fire fighting pump | 1 | \$762.00 |
| DWFF301000 | Alemlube diesel driven 3" fire fighting pump | 1 | \$2,575.00 |

D



DWFF15300KS

| FIRE FIGHTING - KEY START | | Box Qty. | Suggested List Price |
|---------------------------|--|----------|----------------------|
| DWFF15300KS | Alemlube diesel driven 1-1/2" fire fighting pump | 1 | \$1,992.00 |
| DWFF20500KS | Alemlube diesel driven 2" fire fighting pump | 1 | \$2,292.00 |
| PWFF20500KS | Alemlube petrol driven 2" fire fighting pump | 1 | \$957.00 |
| DWFF301000KS | Alemlube diesel driven 3" fire fighting pump | 1 | \$2,970.00 |

D

5.12 SLUMP GUN



51010

| SLUMP GUN | | Box Qty. | Suggested List Price |
|---------------|--|----------|----------------------|
| *51010 | Alemlube 1" slump gun for water on cement trucks | 1 | \$56.60 |

D



i DID YOU KNOW

Alemlube has addressed the need for user friendly, transportable lockable diesel fuel storage & dispensing kits with the introduction of the L40000 range of heavy duty polyethylene tank/dispensing kits.

Covered by the comprehensive Alemlube 2 year warranty, the kits comprise either a patented self priming vane pump or a dual motor self priming rotary vane pump manufactured in Italy, or a gear type pump with a heavy duty cast aluminium body manufactured in the USA. Capable of delivery rates of up to 80L/mins, the kits are available with either an automatic or manual nozzle and clever design has incorporated internal baffles for tank stability, pallet lift points and tie down strap recesses.

Already in use by earth moving contractors, road builders, in industry, agriculture and minesites, the Alemlube lockable diesel fuel storage & dispensing kits represent mobile refuelling at its best.



FLUID MATERIAL TRANSFER AND METERING EQUIPMENT

6.1 HAND OPERATED CHEMICAL & SOLVENT TRANSFER DRUM PUMPS



Box Qty. **Suggested List Price**

| | | | |
|----------------|--|---|----------|
| 933N | Alemlube brass push pull action drum pump with teflon seals, – suits 60/205L drums | 1 | \$527.00 |
| 840N | Alemlube brass push pull action drum pump with teflon seals, – suits 20L drums | 1 | \$445.00 |
| 801A | Alemlube stainless steel rotary action drum pump with teflon seals – suits 60/205L drums, 20 L/min | 1 | \$556.00 |
| 733 | Alemlube stainless steel push pull action drum pump with teflon seals – suits 60/205L drums | 1 | \$395.00 |
| 2006SS | Alemlube stainless steel push pull action drum pump with teflon seals – suits 20L drums | 1 | \$307.00 |
| 4040 | Alemlube stainless steel and ryton bi-lobe drum pump with teflon seals – suits 60/20L drums, 100 L/min | 1 | \$633.00 |
| 401A | Alemlube stainless steel rotary action drum pump with teflon seals – suits 60/205L drums, 20 L/min | 4 | \$293.00 |
| 401A-20 | Alemlube stainless steel rotary action drum pump with teflon seals – suits 20L drums | 1 | \$311.00 |
| 301A | Alemlube polypropylene rotary action drum pump with viton – suits 60/205L drums | 4 | \$206.50 |
| 301A-20 | Alemlube polypropylene rotary action drum pump – suits 20L drums | 1 | \$225.00 |



DID YOU KNOW

Diaphragm pumps transfer liquids using two diaphragms fixed to both ends of a centre rod. The rod is actuated by air pressure. Four simple ball valves or in certain applications flapper valves are used to control the circuit. Compressed air enters air chamber A, moving the centre rod to the right, forcing liquid out of liquid chamber A, while at the same time drawing liquid into liquid chamber B. When the centre rod is fully to the right the pneumatic logic system switches the supply of air from air chamber A to air chamber B. The centre rod then moves to the left, forcing out the liquid from liquid chamber B, while at the same time drawing liquid into liquid chamber A. Through the repetition of this action a constant flow of liquid is achieved.



C

| | | Box Qty. | Suggested List Price |
|---------|---|----------|----------------------|
| 925V | Alemlube polypropylene push pull action drum pump with viton seals – suits 60/205L drums | 1 | \$211.50 |
| 925 | Alemlube polypropylene push pull action drum pump with neoprene seals – suits 60/205L drums | 10 | \$138.00 |
| 925V-20 | Alemlube polypropylene push pull action drum pump with viton seals – suits 20L drums | 1 | \$231.60 |
| 925-20 | Alemlube polypropylene push pull action drum pump with neoprene seals – suits 20L drums | 1 | \$162.10 |
| 950V | Alemlube polypropylene lever action drum pump with viton seals – suits 60/205L drums | 1 | \$199.40 |
| 950 | Alemlube polypropylene lever action drum pump with neoprene seals – suits 60/205L drums | 10 | \$126.10 |
| 950V-20 | Alemlube polypropylene lever action drum pump with viton seals – suits 20L drums | 1 | \$212.70 |
| 950-20 | Alemlube polypropylene lever action drum pump with neoprene seals – suits 20L drums | 1 | \$146.30 |
| *230 | Alemlube polyethelene syphon drum pump – suits 60/205L drums | 1 | \$74.50 |
| 225 | Alemlube polypropylene syphon drum pump – suits 60/205L drums | 10 | \$65.90 |
| 925-006 | Alemlube trisure buttress thread bung adaptor – 52mm OD | 1 | \$36.60 |
| 925-007 | Alemlube mauser thread bung adaptor – 65mm OD | 1 | \$36.60 |
| 925-008 | Alemlube round up bung adaptor – 61mm OD | 1 | \$44.10 |

6.2 AIR OPERATED DIAPHRAGM PUMPS



D

| | | Box Qty. | Suggested List Price |
|-----------|--|----------|----------------------|
| NDP-50BPS | Alemlube 2" polypropylene diaphragm pump – 540 L/min | 1 | \$5,572.00 |
| NDP-40BPS | Alemlube 1-1/2" polypropylene diaphragm pump – 350 L/min | 1 | \$4,615.00 |
| NDP-25BPS | Alemlube 1" polypropylene diaphragm pump – 160 L/min | 1 | \$2,632.00 |
| NDP-20BPS | Alemlube 3/4" polypropylene diaphragm pump – 90 L/min | 1 | \$2,031.00 |



NDP-15FPH



PE-038



NDP-20BST



NDP-25BST

D

| | | Box Qty. | Suggested List Price |
|------------------|--|----------|----------------------|
| NDP-15BST | Alemlube 1/2" stainless steel diaphragm pump – 45 L/min | 1 | \$3,029.00 |
| NDP-15FVT | Alemlube 1/2" viton diaphragm pump – 45 L/min | 1 | \$2,697.00 |
| NDP-15FPH | Alemlube 1/2" polypropylene diaphragm pump – 45 L/min | 1 | \$1,097.00 |
| NDP-5FPT | Alemlube 1/4" polypropylene diaphragm pump – 10 L/min | 1 | \$868.00 |
| NDP-20BST | Alemlube 3/4" stainless steel diaphragm pump – 100 L/min | 1 | \$3,027.00 |
| NDP-25BST | Alemlube 1" stainless steel diaphragm pump – 160 L/min | 1 | \$3,598.00 |
| NDP-40BST | Alemlube 1-1/2" stainless steel diaphragm pump – 350 L/min | 1 | \$5,412.00 |

6.3 AIR OPERATED PUMPS – STAINLESS STEEL

D

7835-SDTR

333120



7216-SS

331120

| | | Box Qty. | Suggested List Price |
|------------------|--|----------|----------------------|
| 7896-S | Alemite 22:1 ratio, 205L drum – 26 L/min | 1 | \$11,991.00 |
| 7886-S5 | Alemite 11:1 ratio, 205L drum – 49 L/min | 1 | \$11,021.00 |
| 7835-SDTR | Alemite 5:1 ratio pump, 205L drum – 17 L/min | 1 | \$6,148.00 |
| 333120 | Samoa 3:1 ratio pump, stub – 45 L/min | 1 | \$3,396.00 |
| 7216-SS | Alemite 1:1 ratio, 205L drum – 53 L/min | 1 | \$7,145.00 |
| 331120 | Samoa 1:1 ratio, stub – 38 L/min | 1 | \$2,876.00 |

6.4 ELECTRICALLY OPERATED CHEMICAL TRANSFER PUMPS

D



P200-BV

| | | Box Qty. | Suggested List Price |
|------------------|---|----------|----------------------|
| P200-BV | GPI 12V high viscosity chemical pump only – 30 L/min | 1 | \$1,999.00 |
| P200H-TAP | GPI 12V low viscosity herbicide and chemical kit – 30 L/min | 1 | \$2,414.00 |
| P120H-2UR | GPI 12V low viscosity chemical pump only – 45 L/min | 1 | \$1,732.00 |

6.5 CHEMICAL METERS

D



G2S10I09LMA



OM025P001-811R4



FM300HL



366010

| | | Box Qty. | Suggested List Price |
|------------------------|---|----------|----------------------|
| G2S20I09LMA | GPI 2" stainless steel chemical meter – 760 L/min | 1 | \$3,082.00 |
| G2S15I09LMA | GPI 1-1/2" stainless steel chemical meter – 380 L/min | 1 | \$2,372.00 |
| G2S10I09LMA | GPI 1" stainless steel chemical meter – 190 L/min | 1 | \$1,696.00 |
| OM025P001-811R4 | Flomec 1" PPS meter BSPP with RT40 rate display, 10 - 150 L/min | 1 | \$1,675.00 |
| FM300HL | GPI 1" electronic herbicide and chemical meter – 75 L/min | 1 | \$852.00 |
| 410000 | Piusi 1" chemical and solvent pulse meter – 40 L/min | 1 | \$745.00 |
| G2S07I09LMA | GPI 3/4" stainless steel chemical meter – 76 L/min | 1 | \$1,662.00 |
| *366010 | Samoa 1/2" electronic chemical meter – 50 L/min | 1 | \$620.00 |
| G2S05I09LMA | GPI 1/2" stainless steel chemical meter – 38 L/min | 1 | \$1,638.00 |



i DID YOU KNOW

Alemite USA's 7835-DTR is the ideal drum pump for challenging industrial, repetitious and highly demanding applications. The fully divorced air motor design ensures that aggressive fluids being transferred cannot contaminate the air motor when air motor gland seals wear and the heavy duty 3" air motor maximises production up time and minimises costly component replacement. The 7835-DTR can be used to transfer, extrude or spray a wide variety of fluids, chemicals and solvents.

The 7835-DTR is a 5:1 ratio mild steel pump tube and Teflon sealed drum pump.

6.6 CHEMICAL NOZZLE



630010

D

| | | Box Qty. | Suggested List Price |
|---------------|--|----------|----------------------|
| 630010 | Piusi plastic water and food nozzle – 80 L/min | 1 | \$57.10 |

6.7 HAND CLEANER PUMPS



AL212

C

| | | Box Qty. | Suggested List Price |
|--------------|--|----------|----------------------|
| AL212 | Alemlube hand cleaner pump for 20L drum | 20 | \$17.40 |
| AL216 | Alemlube hand cleaner pump for 4kg can | 20 | \$17.40 |
| AL220 | Alemlube hand cleaner pump for 5L bottle | 20 | \$17.40 |
| AL224 | Alemlube hand cleaner pump for 20kg plastic cube | 20 | \$17.40 |

6.8 STANDARD DUTY AIR OPERATED CHEMICAL & SOLVENT DRUM PUMPS



7835-DTR

6799

7216-4

D

| | | Box Qty. | Suggested List Price |
|-----------------|---|----------|----------------------|
| 7835-DTR | Alemite 5:1 ratio – paint and solvent resistant teflon packings – suits 60/205L drums – 19 L/min | 1 | \$5,341.00 |
| 7880-C1 | Alemite 2.5:1 ratio – paint and solvent resistant teflon packings – stub pump – 26 L/min | 1 | \$3,884.00 |
| 7216-4 | Alemite 1:1 ratio – solvent resistant teflon packings – suits 60/205L drums – 53 L/min | 1 | \$2,036.00 |
| 7216-20 | Alemite 1:1 ratio – solvent resistant teflon packings – suits 20L drums – 53 L/min | 1 | \$2,171.00 |
| 6799 | Alemite 1/3:1 ratio – carbon steel, aluminium and stainless steel parts – teflon and nylon packings – suits 60/205L drums – 113 L/min | 1 | \$3,276.00 |

6.9 AIR OPERATED HOISTS FOR DRUM PUMPS



2742-4

7818-F5

D

| | | Box Qty. | Suggested List Price |
|----------------|--|----------|----------------------|
| 7818-F5 | Alemite double pole hoist, bridged ram hoist | 1 | \$15,468.00 |
| 2741-4 | Alemite single pole hoist, complete with cast alloy arm assembly (324243) | 1 | \$4,966.00 |
| 2742-4 | Alemite single pole hoist, complete with cover and bracket assembly (330855) | 1 | \$4,166.00 |
| 2743-4 | Alemite single pole hoist, complete with cover and bracket assembly (324613) | 1 | \$4,309.00 |

6.10 ADBLUE® IBC AND DRUM KITS

D

Box Qty. Suggested List Price

| | | | | |
|--|-----------------|--|---|------------|
|  201411 | 201960 | Piusi 240V bowser box with meter | 1 | \$2,997.00 |
|  201311 | 201411 | Alemlube/Piusi AdBlue® palletcon dispensing kit with stub pump, hose reel, meter and automatic nozzle | 1 | \$2,987.00 |
|  201311 | 201311 | Alemlube/Piusi AdBlue® palletcon dispensing kit with diaphragm pump, hose reel, meter and automatic nozzle | 1 | \$3,371.00 |
|  201211 | 201211 | AdBlue® palletcon dispensing kit with Piusi 240V pump, hose reel, meter & automatic nozzle | 1 | \$3,492.00 |
|  201210 | 201220 | Piusi 240V IBC AdBlue® kit with manual nozzle – 35 L/min | 1 | \$1,538.00 |
|  201210 | 201210 | Piusi 240V IBC AdBlue® kit with automatic nozzle and electronic meter – 30 L/min | 1 | \$2,289.00 |
|  201350 | 201350 | Piusi 240V 205L drum AdBlue® kit with automatic nozzle - 25 L/min | 1 | \$1,881.00 |
|  201351 | 201351 | Piusi 240V 205L drum AdBlue® kit with manual nozzle – 35 L/min | 1 | \$1,361.00 |
| 201371 | 201371 | Alemlube/Piusi 1:1 ratio air operated 205L AdBlue® kit with manual nozzle – 50 L/min | 1 | \$1,560.00 |
| 201210 | 201210 | Piusi 240V 205L drum AdBlue® kit with automatic nozzle and electronic meter – 35 L/min | 1 | \$2,112.00 |
| 101000 | 101000 | Piusi AdBlue® storage & 240V dispensing kit with SB325 auto nozzle & K24 digital meter - top feed | 1 | \$1,934.00 |
| 101010 | 101010 | Piusi AdBlue® storage & 240V dispensing kit with SB325M auto nozzle - top feed | 1 | \$1,934.00 |
| 101020 | 101020 | Piusi AdBlue® storage & 240V dispensing kit with SB325 auto nozzle & K24 digital meter - bottom feed | 1 | \$1,934.00 |
| 101030 | 101030 | Piusi AdBlue® storage & 240V dispensing kit with SB325M auto nozzle - bottom feed | 1 | \$1,934.00 |
| 201341 | 201341 | Piusi 240V 205L drum AdBlue® kit with automatic nozzle and electronic meter – 35 L/min | 1 | \$2,112.00 |
| 101040 | 101040 | Piusi AdBlue® storage & 240V dispensing kit with manual nozzle - bottom feed | 1 | \$1,321.00 |
| 332080N | #332080N | Piusi AdBlue® rotary action drum pump – 15 L/min | 1 | \$299.20 |

• IBCs & drums not included

6.11 ADBLUE® BOWSER

D



52034

| | | Box Qty. | Suggested List Price |
|---------------|------------------------------------|----------|----------------------|
| *52034 | Piusi 240V wireless AdBlue® bowser | 1 | \$5,810.00 |

6.12 ADBLUE® TANK KITS

D



400035AA

| | | Box Qty. | Suggested List Price |
|-----------------|--|----------|----------------------|
| 400035AA | Alemlube AdBlue® Mother tank 240V bowser pump kit with hose reel & metered gun | 1 | \$12,443.00 |

• IBC not included

6.13 ADBLUE® TANK LEVEL MONITORING

D



755140

| | | Box Qty. | Suggested List Price |
|---------------|-------------------------------------|----------|----------------------|
| 755140 | Piusi AdBlue® tank level monitoring | 1 | \$899.00 |

6.14 ADBLUE® TRANSFER PUMPS

D



204010



NDP-15FPH



205000

| | | Box Qty. | Suggested List Price |
|------------------|---|----------|----------------------|
| 203010 | Piusi 240V AdBlue® transfer pump – 35 L/min | 1 | \$642.00 |
| 204010 | Piusi 24V AdBlue® transfer pump – 35 L/min | 1 | \$695.00 |
| 204000 | Piusi 12V AdBlue® transfer pump – 35 L/min | 1 | \$695.00 |
| NDP-15FPH | Alemlube 1/2" air operated AdBlue® transfer diaphragm pump – 45 L/min | 1 | \$1,097.00 |
| 205000 | Alemlube 1:1 air operated AdBlue® transfer stub pump | 1 | \$883.00 |

6.15 ADBLUE® HOSE REEL

D



750050

| | | Box Qty. | Suggested List Price |
|---------------|---|----------|----------------------|
| 750050 | Piusi AdBlue® 3/4" hose reel c/w 15m EPDM hose - 140psi | 1 | \$1,320.00 |

6.16 ADBLUE® NOZZLES



| | | Box Qty. | Suggested List Price |
|---------------|---|----------|----------------------|
| SB325 | Piusi AdBlue® automatic nozzle and magnetic strip – 35 L/min | 1 | \$447.00 |
| SB325M | Piusi AdBlue® automatic nozzle with built-in meter – 35 L/min | 1 | \$894.00 |
| 619040 | Piusi AdBlue® automatic nozzle with magnetic strip – 70 L/min | 1 | \$941.00 |
| 619032 | Piusi AdBlue® automatic nozzle – 70 L/min | 1 | \$603.00 |
| 147610 | Piusi AdBlue® manual nozzle – 80 L/min | 1 | \$129.50 |

6.17 ADBLUE® ELECTRONIC METER



| | | Box Qty. | Suggested List Price |
|---------------|--|----------|----------------------|
| 407011 | Piusi AdBlue® electronic meter – 100 L/min | 1 | \$360.00 |

6.18 ADBLUE® FILTER



| | | Box Qty. | Suggested List Price |
|----------------|--|----------|----------------------|
| *611410 | Piusi AdBlue® filter - 40L/min - 1" inlet/outlet | 1 | \$237.00 |

6.19 MOBILE POLY ADBLUE® STORAGE AND DISPENSING KITS



| | | Box Qty. | Suggested List Price |
|-----------------|--|----------|----------------------|
| *6820EAN | Alemlube 68L mobile poly tank complete with 12V kit and manual nozzle | 1 | \$1,409.00 |
| *6820HAS | Alemlube 68L mobile poly tank complete with rotary hand pump and spout | 1 | \$794.00 |

6.20 ADBLUE® STORAGE AND DISPENSING KITS



| | | Box Qty. | Suggested List Price |
|---------------|---|----------|----------------------|
| 101600 | Alemlube AdBlue® 600L poly tank with self-priming 12V pump and manual nozzle, 30 L/min | 1 | \$2,967.00 |
| 101430 | Alemlube AdBlue® 430L poly tank with self-priming 12V pump and manual nozzle, 30 L/min | 1 | \$2,571.00 |
| 101200 | Alemlube AdBlue® 200L poly tank with self priming 12V pump and manual nozzle, 30 L/min - lockable lid | 1 | \$1,821.00 |
| 101125 | Alemlube AdBlue® 125L poly tank with self-priming 12V pump and manual nozzle, 30 L/min - lockable lid | 1 | \$1,649.00 |



WASTE OIL HANDLING, DRUM STORAGE & SPILL CONTAINMENT EQUIPMENT



7.1 WASTE OIL DRAINS, FUNNELS & PANS



| | | D | Box Qty. | Suggested List Price |
|---------------|---|----------|----------|----------------------|
| 436000 | Samoa low profile waste oil drain for industrial vehicles – 95L capacity | | 1 | \$1,378.00 |
| 42068N | Alemlube low profile waste oil drain for industrial vehicles – 75L capacity | | 1 | \$514.00 |
| 372400 | Samoa waste oil drain with 100L reservoir and 20L catchment bowl | | 1 | \$958.00 |
| 30080 | Alemlube waste oil drain with 80L reservoir and 20L catchment bowl | | 1 | \$548.00 |
| 41020N | Alemlube waste oil drainer with square 20L catchment bowl | | 1 | \$327.00 |
| 46064 | Alemlube waste oil drainer for motor bikes | | 1 | \$1,195.00 |
| *41008 | Alemlube waste oil drum funnel with cover | | 1 | \$44.40 |
| *41009 | Alemlube 205L drum top pan | | 1 | \$54.40 |

7.2 WASTE OIL EVACUATORS



| | | D | Box Qty. | Suggested List Price |
|----------------|--|----------|----------|----------------------|
| 271900N | Piusi 240V stationary automatic waste oil evacuator | | 1 | \$2,220.00 |
| 372100 | Samoa air operated mobile waste oil evacuator with 100L reservoir and clear 10L inspection reservoir | | 1 | \$1,704.00 |
| 30091 | Alemlube air operated mobile waste oil evacuator with 80L reservoir and 12L inspection reservoir | | 1 | \$1,069.00 |
| 372600 | Samoa air operated mobile waste oil evacuator with 100L reservoir | | 1 | \$1,333.00 |
| 30090 | Alemlube air operated mobile waste oil evacuator with 80L reservoir | | 1 | \$827.00 |
| 371600 | Samoa air operated mobile waste oil evacuator with 24L reservoir | | 1 | \$719.00 |
| 41006 | Alemlube manual waste oil extractor – 6.5L collection reservoir | | 1 | \$211.90 |

7.3 COMBINATION WASTE OIL DRAINS / EVACUATORS

D



| | | Box Qty. | Suggested List Price |
|---------------|--|----------|----------------------|
| 372000 | Samoa waste oil drain/evacuator with 100L reservoir, 20L catchment bowl and clear 10L inspection chamber | 1 | \$1,930.00 |
| 30101 | Alemlube waste oil drain/evacuator with 80L reservoir, 20L catchment bowl and 12L clear inspection chamber | 1 | \$1,194.00 |
| 372500 | Samoa waste oil drain/evacuator with 100L reservoir and 20L catchment bowl | 1 | \$1,465.00 |
| 30100 | Alemlube waste oil drain/evacuator with 80L reservoir and 20L catchment bowl | 1 | \$907.00 |

7.4 WASTE OIL PUMPS

D



| | | Box Qty. | Suggested List Price |
|------------------|---|----------|----------------------|
| NDP-40BAH | Alemlube 1-1/2" diaphragm pump, 400 L/min | 1 | \$3,187.00 |
| NDP-25BAH | Alemlube 1" diaphragm pump, 160 L/min | 1 | \$2,091.00 |
| NDP-20BAH | Alemlube 3/4" diaphragm pump, 120 L/min | 1 | \$1,674.00 |
| NDP-15FPH | Alemlube 1/2" diaphragm pump, 45 L/min | 1 | \$1,097.00 |
| 379100 | Samoa pump out kit for emptying waste oil drains and evacuator reservoirs | 1 | \$1,329.00 |

7.5 WASTE OIL EVACUATION VALVES

D



| | | Box Qty. | Suggested List Price |
|-----------------|--|----------|----------------------|
| 340289-3 | Alemite 2" four way evacuation valve | 1 | \$1,212.00 |
| 340289-2 | Alemite 1-1/2" four way evacuation valve | 1 | \$1,176.00 |
| 340289-1 | Alemite 1" four way evacuation valve | 1 | \$1,059.00 |

SECTION 7.

WASTE OIL HANDLING, DRUM STORAGE & SPILL CONTAINMENT EQUIPMENT

7.6 WASTE OIL HOSE REEL



508225N

| | | D | Box Qty. | Suggested List Price |
|----------------|---|---|----------|----------------------|
| 508225 | Samoa high volume heavy duty hose reel, 15m x 25mm ID hose – open | | 1 | \$2,631.00 |
| 505224N | Samoa high volume heavy duty hose reel, 15m x 19mm ID hose – open | | 1 | \$2,163.00 |

7.7 ROLLING OIL DRAIN



439100

| | | D | Box Qty. | Suggested List Price |
|---------------|--|---|----------|----------------------|
| 439100 | Samoa 95L capacity with adjustable support rails | | 1 | \$2,711.00 |

7.8 PARTS WASHERS



80365

70365N

| | | D | Box Qty. | Suggested List Price |
|---------------|---|---|----------|----------------------|
| 70365N | Alemlube air operated mobile parts washer for cleaning small engine components, vehicle parts and machine tools | | 1 | \$1,914.00 |
| 80365 | Alemlube 240V mobile poly parts washer c/w mobile stand | | 1 | \$650.00 |
| 80364 | Alemlube 240V poly parts washer without mobile stand | | 1 | \$280.80 |

7.9 ENGINE DRIVEN WASTE OIL TRANSFER PUMP



390000

| | | D | Box Qty. | Suggested List Price |
|----------------|--|---|----------|----------------------|
| *390000 | Alemlube 1-1/4" engine driven waste oli transfer pump - 500L/min | | 1 | \$3,169.00 |

7.10 AIR OPERATED WASTE FLUID EVACUATION VACUUM PUMP KIT



22585

| | | D | Box Qty. | Suggested List Price |
|--------------|---|---|----------|----------------------|
| 22585 | Alemlube air operated sludge and swarf evacuation kit | | 1 | \$1,014.00 |

7.11 OIL FILTERING AND TRANSFER KIT



50300A

| | | D | Box Qty. | Suggested List Price |
|---------------|--|---|----------|----------------------|
| 50300A | Piusi 240V mobile kit for removing particles and impurities suspended in waste oil | | 1 | \$1,436.00 |

7.12 IBC SPILL CONTAINMENT EQUIPMENT

D



SJ-500-003



SJ-510-001

| | | Box Qty. | Suggested List Price |
|--------------------|--|----------|----------------------|
| SJ-500-003 | Jonesco 2,000L IBC spill container | 1 | \$4,036.00 |
| #SJ-510-001 | Jonesco stackable 1,000L IBC spill container | 1 | \$2,302.00 |

• IBCs & container not included

7.13 DRUM SPILL CONTAINMENT EQUIPMENT

D



SJ-100-006



SJ-100-061



SJ-100-002



SJ-100-051

| | | Box Qty. | Suggested List Price |
|-------------------|--|----------|----------------------|
| SJ-100-006 | Jonesco 4 drum spill container | 1 | \$776.00 |
| SJ-100-061 | Jonesco in-line 4 drum spill container | 1 | \$909.00 |
| SJ-100-002 | Jonesco 2 drum spill container | 1 | \$664.00 |
| SJ-100-051 | Jonesco 1 drum spill container | 1 | \$761.00 |

• 205L drums and smaller containers not included

7.14 SMALL CONTAINER SPILL TRAYS

D



ST1-60C

| | | Box Qty. | Suggested List Price |
|-----------------|----------------------------------|----------|----------------------|
| ST1-100C | Jonesco 100L capacity spill tray | 1 | \$422.00 |
| ST1-60C | Jonesco 60L capacity spill tray | 1 | \$303.00 |
| ST1-30C | Jonesco 30L capacity spill tray | 1 | \$206.30 |

• Containers not included

SECTION 7.

WASTE OIL HANDLING, DRUM STORAGE & SPILL CONTAINMENT EQUIPMENT



| | | | |
|----------------|---------------------------------|---|----------|
| ST1-100 | Jonesco 100L capacity base only | 1 | \$196.10 |
| ST1-60 | Jonesco 60L capacity base only | 1 | \$164.80 |
| ST1-30 | Jonesco 30L capacity base only | 1 | \$84.60 |

- Containers not included

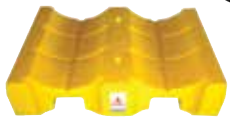
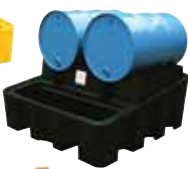
7.15 DRUM STORAGE AND SPILL CONTAINMENT

D

SJ-200-010



SJ-200-003



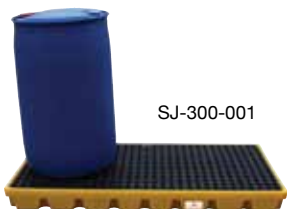
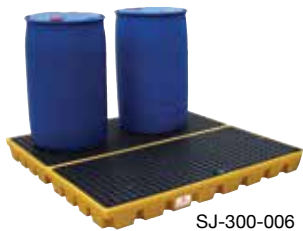
SJ-200-002

| | | Box Qty. | Suggested List Price |
|-------------------|--|----------|----------------------|
| SJ-200-010 | Jonesco 4 drum rack and spill container | 1 | \$1,631.00 |
| SJ-200-003 | Jonesco 2 drum storage and spill container | 1 | \$1,017.00 |
| SJ-200-002 | Jonesco 2 drum rack | 1 | \$617.00 |

- Drums not included

7.16 MODULAR WORKSHOP FLOOR SPILL CONTAINMENT

D



| | | Box Qty. | Suggested List Price |
|-------------------|-----------------------------------|----------|----------------------|
| SJ-300-006 | Jonesco 4 drum work floor | 1 | \$1,015.00 |
| SJ-300-001 | Jonesco 2 drum work floor | 1 | \$732.00 |
| SJ-300-010 | Jonesco work floor ramp | 1 | \$320.00 |
| KIT102 | Jonesco junction connector | 1 | \$93.80 |
| WINA727 | Jonesco channel protector – long | 1 | \$46.40 |
| WINA728 | Jonesco channel protector – short | 1 | \$34.00 |

- Drums not included

7.17 DRUM STORAGE AND SPILL CONTAINMENT

D



SJC4C

| | | Box Qty. | Suggested List Price |
|--------------|---|----------|----------------------|
| SJC4C | Jonesco 4 drum Spillshak includes 4 drum spill container SJ-100-006 | 1 | \$4,910.00 |
| SJC2C | Jonesco 2 drum Spillshak includes 2 drum spill container SJ-100-002 | 1 | \$3,786.00 |

- Drums not included

7.18 DRUM TROLLEY

D



SJ-400-001

| | | Box Qty. | Suggested List Price |
|-------------------|---|----------|----------------------|
| SJ-400-001 | Jonesco 205L drum trolley spill container | 1 | \$1,642.00 |

- Drum not included

7.19 DRUM STORAGE AND SPILL CONTAINMENT RACKS

D



76810



76800



77440



76520

| | | Box Qty. | Suggested List Price |
|--------------|---|----------|----------------------|
| 76810 | Alemlube 4 x 205L drum storage and spill containment unit | 1 | \$2,452.00 |
| 76800 | Alemlube 2 x 205L drum storage and spill containment unit | 1 | \$1,483.00 |
| 77440 | Alemlube 12 x 60L drum storage and spill containment unit | 1 | \$1,784.00 |
| 76520 | Alemlube 6 x 60L drum storage and spill containment unit | 1 | \$1,437.00 |

- Drums and small containers not included

The image features a semi-transparent blue overlay on a background of industrial fume extraction equipment. At the top, a flexible extraction arm is visible, with the word 'AEROSERVICE' printed vertically on its main section. Below this, a large, white, rectangular extraction unit is shown. The unit has a handle on top and a door on the front. The 'AEROSERVICE' logo is visible on the side of the unit, and a smaller 'Aeromine' logo is on the top right. The background also includes a decorative pattern of white dots on a blue gradient.

INDUSTRIAL FUME EXTRACTION EQUIPMENT

8.1 ARTICULATED FIXED WELDING FUME EXTRACTION ARMS



IBSV160/3

D

| | | Box Qty. | Suggested List Price |
|-------------------|---|----------|----------------------|
| IBSVA160/4 | Aerservice wall mounted articulated welding fume extraction arm – 4m long | 1 | \$5,036.00 |
| IBSVA160/3 | Aerservice wall mounted articulated welding fume extraction arm – 3m long | 1 | \$4,924.00 |
| IBSVA160/2 | Aerservice wall mounted articulated welding fume extraction arm – 2m long | 1 | \$4,728.00 |

8.2 MOBILE INDUSTRIAL FUME EXTRACTORS



FAC/T

D

| | | Box Qty. | Suggested List Price |
|--------------|--|----------|----------------------|
| FAC/E | Aerservice mobile electrostatic welding fume extractor | 1 | \$10,822.00 |
| FAC/T | Aerservice mobile mechanical welding fume extractor | 1 | \$7,554.00 |



i DID YOU KNOW

Alemlube offers a wide range of automotive fume extraction equipment that can be used on motorbikes, car, van, truck or bus workshops. The advent of higher revving engines and diesel engine vehicles requiring dyno service work, an increased focus by employers on the well being and working conditions of their team and Occupational Health and Safety issues, are factors that have all combined to generate an increased awareness of the need to provide mechanics with a cleaner and healthier working environment.

Workshop Managers can choose a system that best suits their specific application with single extractor stations, centralised installations, fixed, mobile, wall or floor mounted systems available.

AUTOMOTIVE WORKSHOP EQUIPMENT



9.1 ON CAR SERVICING EQUIPMENT

D

Box Qty. Suggested List Price



47010N

| Item Code | Description | Box Qty. | Suggested List Price |
|-----------|---|----------|----------------------|
| #47010N | Alemlube Automotive power steering flusher | 1 | \$2,638.00 |
| *47042A | Alemlube Automotive coolant flusher | 1 | \$3,540.00 |
| 47041A | Alemlube Automotive fully automatic coolant flusher – 3 chamber | 1 | \$11,196.00 |
| 47040A | Alemlube Automotive coolant flusher – 2 chamber | 1 | \$4,288.00 |
| 47070A | Alemlube Automotive fully automatic ATF flusher | 1 | \$8,017.00 |
| 47071N | Alemlube Automotive ATF flusher | 1 | \$3,716.00 |
| M-1000 | Alemlube Automotive automatic air conditioning station - 10kg capacity | 1 | \$5,859.00 |
| #M-1500-P | Alemlube Automotive automatic air conditioning station with printer - 20kg capacity | 1 | \$7,252.00 |
| M-2000 | Alemlube Automotive fully automatic air conditioning station - 20kg capacity | 1 | \$8,012.00 |
| *M-3000 | Alemlube Automotive fully automatic air conditioning station for commercial vehicles - 40kg capacity | 1 | \$15,569.00 |
| *M-5000-R | Alemlube Automotive fully automatic air conditioning station for commercial vehicles - R7 1234YF compatible - 20kg capacity | 1 | \$10,088.00 |

1

\$2,638.00

1

\$3,540.00

1

\$11,196.00

1

\$4,288.00

1

\$8,017.00

1

\$3,716.00

1

\$5,859.00

1

\$7,252.00

1

\$8,012.00

1

\$15,569.00

1

\$10,088.00



47070A



47071N



M-1500



M-2000

9.2 AUTOMOTIVE EXHAUST EXTRACTION EQUIPMENT

D

GMR HD



MOTOR BIKE EXHAUST REELS

| | | Box Qty. | Suggested List Price |
|------------|--|----------|----------------------|
| #GMR757.5 | Worky spring rewind exhaust reel – fan not included | 1 | \$4,056.00 |
| #GMRF757.5 | Worky spring rewind exhaust reel – fan included | 1 | \$5,179.00 |
| #GER757.5 | Worky motor rewind exhaust reel including push button control panel – fan included | 1 | \$9,580.00 |
| #GERF757.5 | Worky motor rewind exhaust reel including remote control unit – fan included | 1 | \$10,047.00 |

D

GERF



CAR EXHAUST REELS

| | | Box Qty. | Suggested List Price |
|-------------|--|----------|----------------------|
| #GMR10010 | Worky spring rewind exhaust reel – fan not included | 1 | \$4,763.00 |
| #GMRF10010 | Worky spring rewind exhaust reel – fan included | 1 | \$6,416.00 |
| #GERF10010 | Worky motor rewind exhaust reel including push button control panel – fan included | 1 | \$10,493.00 |
| #GERFT10010 | Worky motor rewind exhaust reel including remote control unit – fan included | 1 | \$10,955.00 |

D

GMR15012.5



COMMERCIAL VEHICLE EXHAUST REELS

| | | Box Qty. | Suggested List Price |
|---------------|--|----------|----------------------|
| #GMR15012.5 | Worky spring rewind exhaust reel – fan not included | 1 | \$7,067.00 |
| #GMRF15012.5 | Worky spring rewind exhaust reel – fan included | 1 | \$9,410.00 |
| #GERF15012.5 | Worky motor rewind exhaust reel including push button control panel – fan included | 1 | \$13,572.00 |
| #GERFT15012.5 | Worky motor rewind exhaust reel including remote control unit – fan included | 1 | \$13,625.00 |



GMS1 HD

D

| WALL MOUNTED CAR EXHAUST UNITS | | Box Qty. | Suggested List Price |
|--------------------------------|--|----------|----------------------|
| #GMS1755 | Worky wall mounted fume extraction unit – 240V | 1 | \$3,054.00 |
| #GMS21755 | Worky wall mounted fume extraction unit – 415V | 1 | \$3,054.00 |



GSA HD

D

| REMOTE MOUNT MOTORS | | Box Qty. | Suggested List Price |
|---------------------|-------------------|----------|----------------------|
| #GSA2 | Worky 1.5kW power | 1 | \$3,975.00 |
| #GSA3 | Worky 2.2kW power | 1 | \$4,501.00 |
| #GSA5.5 | Worky 4.0kW power | 1 | \$5,885.00 |
| #GSA10 | Worky 7.5kW power | 1 | \$8,223.00 |

9.3 AUTOMOTIVE MOBILE EXHAUST EXTRACTION UNIT



675

D

| | | Box Qty. | Suggested List Price |
|-----|---|----------|----------------------|
| 675 | Alemlube mobile air operated fume extractor | 1 | \$1,814.00 |

9.4 VEHICLE HOISTS



| TWO POST VEHICLE HOISTS | | Box Qty. | Suggested List Price |
|-------------------------|--|----------|--------------------------|
| KPH370.55LIKT | Ravaglioli 5.5t electro-hydraulic clear floor hoist - includes extra long arms | 1 | \$16,563.00 ^E |
| KPH370.55LIK | Ravaglioli 5.5t electro-hydraulic clear floor hoist | 1 | \$12,222.00 ^E |
| KPN250LIK | Ravaglioli 5t electro-mechanical clear floor screw type hoist | 1 | \$10,742.00 ^E |
| AA50CF2P | Alemlube Automotive 5t electro-hydraulic clear floor hoist | 1 | \$5,972.00 ^D |
| AA50FB2P | Alemlube Automotive 5t electro-hydraulic floor base hoist | 1 | \$5,972.00 ^D |
| *AA45CFS2P | Alemlube Automotive 4.5t electro-mechanical clear floor screw type hoist | 1 | \$5,335.00 ^D |
| KPH370.42 | Ravaglioli 4t electro-hydraulic clear floor hoist | 1 | \$6,013.00 ^E |
| AA40CF2P | Alemlube Automotive 4t electro-hydraulic clear floor hoist | 1 | \$5,243.00 ^D |
| AA40CF2P-240V | Alemlube Automotive 4t electro-hydraulic clear floor hoist - 240v | 1 | \$5,243.00 ^D |
| AA40FB2P | Alemlube Automotive 4t electro-hydraulic floor base hoist | 1 | \$4,644.00 ^D |
| AA40FB2P-240V | Alemlube Automotive 4t electro-hydraulic base floor hoist - 240V | 1 | \$4,644.00 ^D |
| KPX337WK | Ravaglioli 3.2t electro-mechanical clear floor screw type hoist | 1 | \$5,503.00 ^E |
| *KPX337WR | Ravaglioli 3.2t electro-mechanical clear floor hoist with lower profile arms | 1 | \$6,002.00 ^E |
| KPS327H | Ravaglioli 3.2t electro-mechanical floor base hoist | 1 | \$5,860.00 ^E |

KP442E



RAV4800



RAV4650



RAV4402



AA454PA



RAV4401

FOUR POST VEHICLE HOISTS

Box Qty. Suggested List Price

| FOUR POST VEHICLE HOISTS | | Box Qty. | Suggested List Price |
|--------------------------|--|----------|--------------------------|
| KP440NE | Ravaglioli 24t electro-mechanical hoist for trucks and buses | 1 | \$63,152.00 ^E |
| KP440E | Ravaglioli 20t electro-mechanical hoist for trucks and buses | 1 | \$60,766.00 ^E |
| KP442NE | Ravaglioli 14t electro-mechanical hoist for trucks and buses | 1 | \$45,829.00 ^E |
| KP442E | Ravaglioli 12t electro-mechanical hoist for trucks and buses | 1 | \$44,133.00 ^E |
| RAV4800 | Ravaglioli 8t electro-hydraulic hoist for trucks and buses | 1 | \$20,425.00 ^E |
| RAV4650 | Ravaglioli 6.5t electro-hydraulic hoist for trucks and buses | 1 | \$18,218.00 ^E |
| RAV4502E | Ravaglioli 5t electro-hydraulic wheel alignment hoist | 1 | \$12,319.00 ^E |
| *RAV4501E | Ravaglioli 5t electro-hydraulic hoist | 1 | \$9,312.00 ^E |
| AA454PA | Alemlube Automotive 4.5t electro-hydraulic wheel alignment hoist | 1 | \$9,256.00 ^D |
| AA454P | Alemlube Automotive 4.5t electro-hydraulic hoist | 1 | \$7,520.00 ^D |
| RAV4402 | Ravaglioli 4t electro-hydraulic wheel alignment hoist | 1 | \$10,412.00 ^E |
| RAV4401 | Ravaglioli 4t electro-hydraulic hoist | 1 | \$8,468.00 ^E |



RAV725NLI



AA45LPAS-WF



RAV540



AA30S



RAV518NL



RAV263



RAV307H.4WS
(6 post model depicted)

SCISSOR LIFTS

| | | Box Qty. | Suggested List Price |
|---------------------|---|----------|--------------------------|
| *RAV725NLI | Ravaglioli 22.5t heavy duty scissor lift with 10m long platform | 1 | \$65,260.00 ^E |
| *RAV650.2.55 | Ravaglioli 5t electro-hydraulic wheel alignment scissor lift with 5.5m platform | 1 | \$19,950.00 ^E |
| AA45LPAS-WF | Alemlube Automotive 4.5t low profile wheel alignment scissor lift, wheels free | 1 | \$15,729.00 ^D |
| RAV540 | Ravaglioli 4t electro-hydraulic low profile scissor lift | 1 | \$15,239.00 ^E |
| RAV640.2 | Ravaglioli 4t wheel alignment scissor lift | 1 | \$16,753.00 ^E |
| AA45LPAS | Alemlube Automotive 4.5t low profile wheel alignment scissor lift | 1 | \$11,808.00 ^D |
| RAV518NLI | Ravaglioli 3t electro-hydraulic inground scissor lift | 1 | \$12,616.00 ^E |
| RAV518NL | Ravaglioli 3t electro-hydraulic scissor lift | 1 | \$10,523.00 ^E |
| AA30S | Alemlube Automotive 3t scissor lift; 3 phase | 1 | \$6,128.00 ^D |
| AA30S-240V | Alemlube Automotive 3t scissor lift; 1 phase | 1 | \$6,128.00 ^D |
| RAV1450N | Ravaglioli 3.2t mid rise scissor lift | 1 | \$6,566.00 ^E |
| AA30MRS | Alemlube Automotive 3t mid rise scissor lift; 240V single phase | 1 | \$4,629.00 ^D |

MOBILE COLUMN LIFTS

| | | Box Qty. | Suggested List Price |
|---------------------|---|----------|--------------------------|
| RAV263 | Ravaglioli 6 x mobile column lift, 8.5t per column for trucks and buses | 1 | \$62,750.00 ^E |
| RAV244 | Ravaglioli 6 x mobile lift, 7t per column for trucks and buses also outdoor | 1 | \$59,462.00 |
| *RAV307H.4WS | Ravaglioli wireless 4 x mobile lift, 7.5t per column for trucks and buses | 1 | \$47,663.00 |
| RAV241 | Ravaglioli 4 x column lift, 7t per mobile for trucks and buses | 1 | \$37,106.00 |
| RAV232NL | Ravaglioli 4 x column lift, 5.5t per mobile for trucks and buses | 1 | \$26,716.00 |

9.5 JACKING BEAMS



KP118NP



J50PHA



J20PNX



AA20MJB

| | | Box Qty. | Suggested List Price |
|----------------|--|----------|-------------------------|
| KP118NP | Ravaglioli 13.5t pneumatically operated jacking beam for KP440 and KP442 hoists | 1 | \$6,329.00 ^E |
| J50PHA | Ravaglioli 5t pneumatically operated jacking beam for RAV4650 and RAV4800 hoists | 1 | \$5,599.00 ^E |
| J20PNX | Ravaglioli 2t pneumatically operated jacking beam for RAV4401, RAV4402, RAV4501E and RAV4502E hoists | 1 | \$4,841.00 ^E |
| #J17X | Ravaglioli 2t manually operated jacking beam for RAV4401, RAV4402, RAV4501E and RAV4502E hoists | 1 | \$2,903.00 ^E |
| AA30PJB | Alemlube Automotive 3t pneumatic jacking beam | 1 | \$1,836.00 ^D |
| AA20MJB | Alemlube Automotive 2t manual jacking beam | 1 | \$1,542.00 ^D |

9.6 LED CORDLESS WORKSHOP LIGHTS



20022



*20011



20066N



20044N



20084

| | | Box Qty. | Suggested List Price |
|---------------|---|----------|----------------------|
| *20011 | Alemlube mini LED workshop light | 1 | \$36.80 ^C |
| 20022 | Alemlube LED cordless and rechargeable workshop light – 240V and 12V | 1 | \$172.00 |
| 20044N | Alemlube LED cordless and rechargeable workshop light – 240V and 12V | 1 | \$170.60 |
| 20066N | Alemlube bendable led cordless and rechargeable workshop light with aircon leak detection capability – 240V and 12V | 1 | \$179.60 |
| 20084 | Alemlube LED vehicle bonnet lamp – 240V | 1 | \$236.30 |

9.7 WHEEL ALIGNERS

D



RAVTD3000ATS.B



RAVTD1780WS



RAVTD5060WD



Z8014R5



Z8016R5

| | | Box Qty. | Suggested List Price |
|-----------------------|---|----------|----------------------|
| RAVTD3000ATS.B | Ravaglioli 3D wheel aligner with quick type 3 point grabbing clamps - with auto range sensor for up to 4.7m wheel base | 1 | \$33,800.00 |
| RAVTD3000HP.B | Ravaglioli 3D wheel aligner with fast operation and tyre grabbing clamps Compact size | 1 | \$28,600.00 |
| #RAVTD3000S.B | Ravaglioli 3D wheel aligner with fast operation and tyre grabbing clamps - compact size | 1 | \$21,852.00 |
| RAVTD1780WS | Ravaglioli total drive wheel aligner - 8CCD sensors & bluetooth communication c/w self centering quick type clamps (STDA35E) | 1 | \$26,076.00 |
| RAVTD5080WS | Ravaglioli wheel aligner - 8CCD sensors c/w laptop for a complete wireless solution | 1 | \$19,240.00 |
| RAVTD5060WD | Ravaglioli entry level wheel aligner - 6CCD sensors c/w standard quick type clamps (STDA95S) | 1 | \$15,439.00 |
| Z8014R5 | Alemlube Automotive R Pac Premium Plus (8x6) PPR computerised wheel aligner | 1 | \$15,930.00 |
| Z8016R5 | Alemlube Automotive R Pac Premium Plus (6x6) PPR computerised wheel aligner | 1 | \$12,420.00 |
| *RAVTD8060TWSR | Ravaglioli 6CCD wheel aligner with bluetooth communication for commercial vehicles and standard 4 point wheel clamps | 1 | \$24,910.00 |
| #RAVTD5040TWS | Ravaglioli 4CCD wheel aligner with bluetooth communication for commercial vehicles with standard 4 point wheel clamps comes with laptop | 1 | \$24,260.00 |
| *Z8043-C | Alemlube Automotive commercial vehicle wheel aligner with 2.4GHz wireless technology, standard with 4 wheel clamps | 1 | \$15,582.00 |

9.8 WHEEL BALANCERS

D



G3.140R



G4.140R

| | | Box Qty. | Suggested List Price |
|------------------|--|----------|----------------------|
| *G3.140RS | Ravaglioli electronic wheel balancer with auto distance / diameter input, 19" colour TFT monitor with external data gauge and laser light | 1 | \$8,112.00 |
| *G3.140R | Ravaglioli electronic wheel balancer with auto distance / diameter input, 19" colour TFT monitor | 1 | \$6,448.00 |
| #G4.140R | Ravaglioli professional wheel balancer with automatic distance and diameter input - colour monitor TFT SVGA 19" display with external data gauge | 1 | \$6,854.00 |
| G2.119H | Ravaglioli entry level wheel balancer with automatic distance and diameter inputs - backlit graphic LCD display 132x40mm | 1 | \$4,253.00 |

9.8 WHEEL BALANCERS

D



G6.160H



GTL2.120HC



U-828



U-820

| | | Box Qty. | Suggested List Price |
|--------------------|---|----------|----------------------|
| G6.160H | Ravaglioli professional wheel balancer with automatic distance and diameter inputs - Color monitor TFT SVGA 17" - Industrial PC with 3D Graphic disk. | 1 | \$9,856.00 |
| G1.111H | Ravaglioli hand-spin balancer - backlit monochrome graphic LCD display, 1/16 VGA | 1 | \$5,334.00 |
| GTL2.120HC | Ravaglioli entry level commercial vehicle wheel balancer with pneumatic wheel lift – manual data entry – backlit graphic LCD display 132x40mm | 1 | \$11,960.00 |
| *GTL4.140RC | Ravaglioli heavy duty commercial vehicle wheel balancer with pneumatic lift, TFT SVGA 19" display | 1 | \$15,496.00 |
| U-850 | Alemlube Automotive commercial vehicle wheel balancer with central processing microcomputer and pneumatic tyre lifting platform | 1 | \$4,416.00 |
| U-828 | Alemlube Automotive wheel balancer with auto distance and diameter arm and central processing computer | 1 | \$3,515.00 |
| #U-820 | Alemlube Automotive wheel balancer with auto distance and diameter arm and central processing computer | 1 | \$3,171.00 |
| U-108 | Alemlube Automotive entry level hand spin wheel balancer | 1 | \$1,880.00 |

9.9 TYRE CHANGERS

D



G96N



GTL4.140RC

| | | Box Qty. | Suggested List Price |
|------------------|--|----------|----------------------|
| G10360.15 | Ravaglioli 60" commercial vehicle tyre changer with bluetooth control console | 1 | \$32,354.00 |
| G10156.15 | Ravaglioli 56" commercial vehicle tyre changer with bluetooth control console | 1 | \$27,166.00 |
| G96N | Ravaglioli 27" commercial vehicle tyre changer with adjustable clamping chuck pressure | 1 | \$15,288.00 |



U-296



G7645I.26



G7441I.24



G7040.18



U-226A



U-221A

| | | | |
|--------------------------|--|---|-------------|
| U-296 | Alemlube Automotive 14" - 42" commercial vehicle tyre changer | 1 | \$13,794.00 |
| U-290 | Alemlube Automotive 14" - 26" commercial vehicle tyre changer | 1 | \$10,234.00 |
| G1150.30 MAGIC IT | Ravaglioli automatic 34" tyre changer with patented auto-touch function | 1 | \$15,985.00 |
| G8645IV.26 | Ravaglioli lever-less chucking table 26" tyre changer - RFT and HP tyres with added helper arm | 1 | \$10,338.00 |
| G7645IV.26 | Ravaglioli automatic tyre changer with under table inflation - clamping capacity Ext 26"/Int 28.5" - 3PH dual speed | 1 | \$6,963.00 |
| G7441I.24 | Ravaglioli automatic tyre changer with under table inflation - clamping capacity Ext 24"/Int 26.5" - 3PH single speed | 1 | \$7,176.00 |
| G7441.20 | Ravaglioli automatic tyre changer - clamping capacity Ext 20"/Int 22.5" - 3PH single speed with laptop | 1 | \$6,753.00 |
| G7040.18 | Ravaglioli semi-automatic tyre changer - suitable for motorbikes (with MB adaptors Ext 23") clamping capacity Ext 18"/Int 20.5" - 3PH single speed | 1 | \$4,855.00 |
| U-226A | Alemlube Automotive automatic 24" tyre changer with tilting back operation, under table inflation and helper arm | 1 | \$5,156.00 |
| U-2091A | Alemlube Automotive semi-automatic 26" tyre changer with swing arm operation and helper arm | 1 | \$3,575.00 |
| U-201 | Alemlube Automotive semi-automatic 24" tyre changer with swing arm operation | 1 | \$2,281.00 |
| U-221A | Alemlube Automotive automatic 24" tyre changer with fully automatic pneumatic tilt back column | 1 | \$3,323.00 |
| U-236A | Alemlube Automotive automatic 26" tyre changer with fully automatic pneumatic tilt back column | 1 | \$6,245.00 |

9.10 WHEEL HANDLING AND TYRE TESTING EQUIPMENT

D



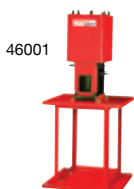
SR16N

48010

| | | Box Qty. | Suggested List Price |
|---------------|---|----------|----------------------|
| SR16N | Ravaglioli commercial vehicle wheel hydraulic lift - single or twin wheels | 1 | \$3,096.00 |
| G16N | Ravaglioli tyre test tank for inner tubes and tubeless tyres up to 680mm - air operated | 1 | \$3,462.00 |
| *48010 | Alemlube tyre and wheel lifting and handling service trolley | 1 | \$4,676.00 |

9.11 OIL FILTER CRUSHERS

D



46001

| | | Box Qty. | Suggested List Price |
|---------------|---|----------|----------------------|
| *46000 | Alemlube oil filter crusher - bench mounted | 1 | \$3,162.00 |
| *46001 | Alemlube oil filter crusher - free standing | 1 | \$3,803.00 |



UNDERGROUND COAL MINE EQUIPMENT

10.1 GREASING EQUIPMENT

C



| | | Box Qty. | Suggested List Price |
|----------------|---|----------|----------------------|
| 660AS | Alemlube 450g cartridge grease gun – trigger action | 10 | \$131.50 |
| 600AS | Alemlube 450g cartridge grease gun – lever action | 10 | \$111.70 |
| 440A | Samoa 400g cartridge grease gun – trigger action | 10 | \$77.50 |
| 400A | Samoa 400g cartridge grease gun – lever action | 10 | \$42.40 |
| 7149-A4 | Alemlube grease bucket pump – 16kg capacity | 1 | \$1,331.00 |

D



| | | Box Qty. | Suggested List Price |
|-------------------|---|----------|----------------------|
| 8540-B-20S | Alemlube 20kg grease pump with drum cover and follower – 70:1 ratio | 1 | \$3,414.00 |
| 8550-B-20S | Alemlube 20kg grease pump with drum cover and follower – 50:1 ratio | 1 | \$3,023.00 |
| 9611HS | Alemlube 20kg grease kit – 50:1 ratio | 1 | \$2,003.00 |
| 424170S | Samoa underground coal mine 20kg grease kit – 55:1 ratio | 1 | \$1,188.00 |
| 9610HS | Alemlube 55kg grease kit – 50:1 ratio | 1 | \$2,344.00 |
| 9679HS | Alemlube 180kg grease kit – 50:1 ratio | 1 | \$2,838.00 |
| 6320-3 | Alemlube heavy duty control valve with rigid extension – delivers pre-set measured shots or continuous flow | 1 | \$456.00 |
| 413077S | Samoa underground grease control valve | 1 | \$183.80 |
| 331107 | Alemlube grease swivel | 1 | \$241.30 |
| HP-N-350 | Coxreels grease reel c/w 15m x 10mm ID hose | 1 | \$2,408.00 |

10.2 OIL TRANSFER EQUIPMENT

C

Box Qty. Suggested List Price



| | | | |
|---------------|---|----|----------|
| 8828SN | Alemlube 20L gear oil drum pump | 10 | \$83.90 |
| 8820SN | Alemlube 20L multi purpose drum pump without hose | 10 | \$79.60 |
| 8826SN | Alemlube 20L ATF drum pump | 10 | \$106.50 |
| 8878SN | Alemlube 60L gear oil drum pump | 10 | \$102.30 |
| 8870SN | Alemlube 60L multi purpose drum pump without hose | 10 | \$94.60 |
| 8876SN | Alemlube 60L ATF drum pump | 10 | \$124.40 |
| 201S | Alemlube 205L rotary drum pump | 6 | \$165.90 |

D

Box Qty. Suggested List Price



| | | | |
|-----------------|---|---|------------|
| 7783-C4S | Alemite stub "77" series 6:1 ratio oil transfer pump – 38 L/min | 1 | \$9,208.00 |
| 9668S | Alemite stub PML 5:1 ratio oil transfer pump – 26 L/min | 1 | \$1,841.00 |
| 9669-BS | Alemite 205L PML 5:1 ratio oil transfer pump – 26 L/min | 1 | \$1,957.00 |
| 9619-BS | Alemite 205L PML 3:1 ratio oil transfer pump – 40 L/min | 1 | \$2,781.00 |
| 9617-BS | Alemite 205L PML 1:1 ratio oil transfer pump – 60 L/min | 1 | \$1,831.00 |
| 7216-4S | Alemite 205L oil transfer pump – 53 L/min | 1 | \$2,552.00 |
| 505224S | Samoa oil reel c/w 15m x 19mm ID hose capacity | 1 | \$2,163.00 |
| MP-N-450 | Coxreels oil reel c/w 15m x 12mm ID hose capacity | 1 | \$2,551.00 |
| 186300 | Samoa oil control valve | 1 | \$308.00 |
| NC-10 | All-Flo waste oil 1" diaphragm pump – 152 L/min | 1 | \$2,082.00 |
| NC-5 | All-Flo waste oil 1/2" diaphragm pump – 53 L/min | 1 | \$1,193.00 |

10.3 DEWATERING AIR OPERATED DIAPHRAGM PUMPS

D

PB-20C



PB-15

Box Qty. Suggested List Price

| | | | |
|---------------|--|---|------------|
| PB-20C | Alemlube 2" dewatering diaphragm pump with roll cage | 1 | \$5,175.00 |
| PB-20 | Alemlube 2" dewatering diaphragm pump | 1 | \$4,090.00 |
| PB-15 | Alemlube 1-1/2" dewatering diaphragm pump | 1 | \$2,704.00 |

10.4 AIR AND/OR WATER HOSE STORAGE & RETRIEVAL

D



AWP1215



AWP1014



SA400N



SAW100



AWS812



505224S

Box Qty. Suggested List Price

| | | | |
|-----------------|--|---|------------|
| AWP1215 | Alemlube air and water - 15m x 12mm ID, polyurethane hose reel | 1 | \$473.00 |
| SA400N | Alemlube air hose reel - 15m x 12mm ID, hybrid polymer hose | 1 | \$279.20 |
| SAW200 | Alemlube air and water hose reel - 13m x 12mm ID, PVC hose | 1 | \$221.40 |
| AWP1014 | Alemlube air and water - 14m x 10mm ID, polyurethane hose reel | 1 | \$355.00 |
| SA300N | Alemlube air hose reel - 18m x 10mm ID, hybrid polymer hose | 1 | \$262.50 |
| SAW100 | Alemlube air and water hose reel - 16m x 10mm ID, PVC hose | 1 | \$211.40 |
| AWS812 | Alemlube air and water steel covered reel - 12m x 8mm ID, polyurethane hose | 1 | \$554.00 |
| AWP809 | Alemlube compact air and water - 9m x 8mm ID, polyurethane hose reel | 1 | \$335.00 |
| 505224S | Samoa air and water reel - 15m x 19mm ID hose | 1 | \$2,163.00 |
| SH-N-450 | Coxreels air and water hose reel - 15m x 12mm ID hose | 1 | \$2,398.00 |

10.5 WATER HOSE STORAGE & RETRIEVAL



| | | D | Box Qty. | Suggested List Price |
|---------------|--|----------|----------|----------------------|
| WP1290 | Alemlube high capacity water hose reel - 30m x 12mm ID, PVC hose | 1 | 1 | \$316.00 |
| SW500N | Alemlube S Series water hose reel - 18m x 12mm ID, polyurethane hose | 1 | 1 | \$285.90 |

10.6 WATER NOZZLE



| | | D | Box Qty. | Suggested List Price |
|---------------|------------------------------|----------|----------|----------------------|
| 630010 | Piusi water nozzle, 80 L/min | 1 | 1 | \$57.10 |

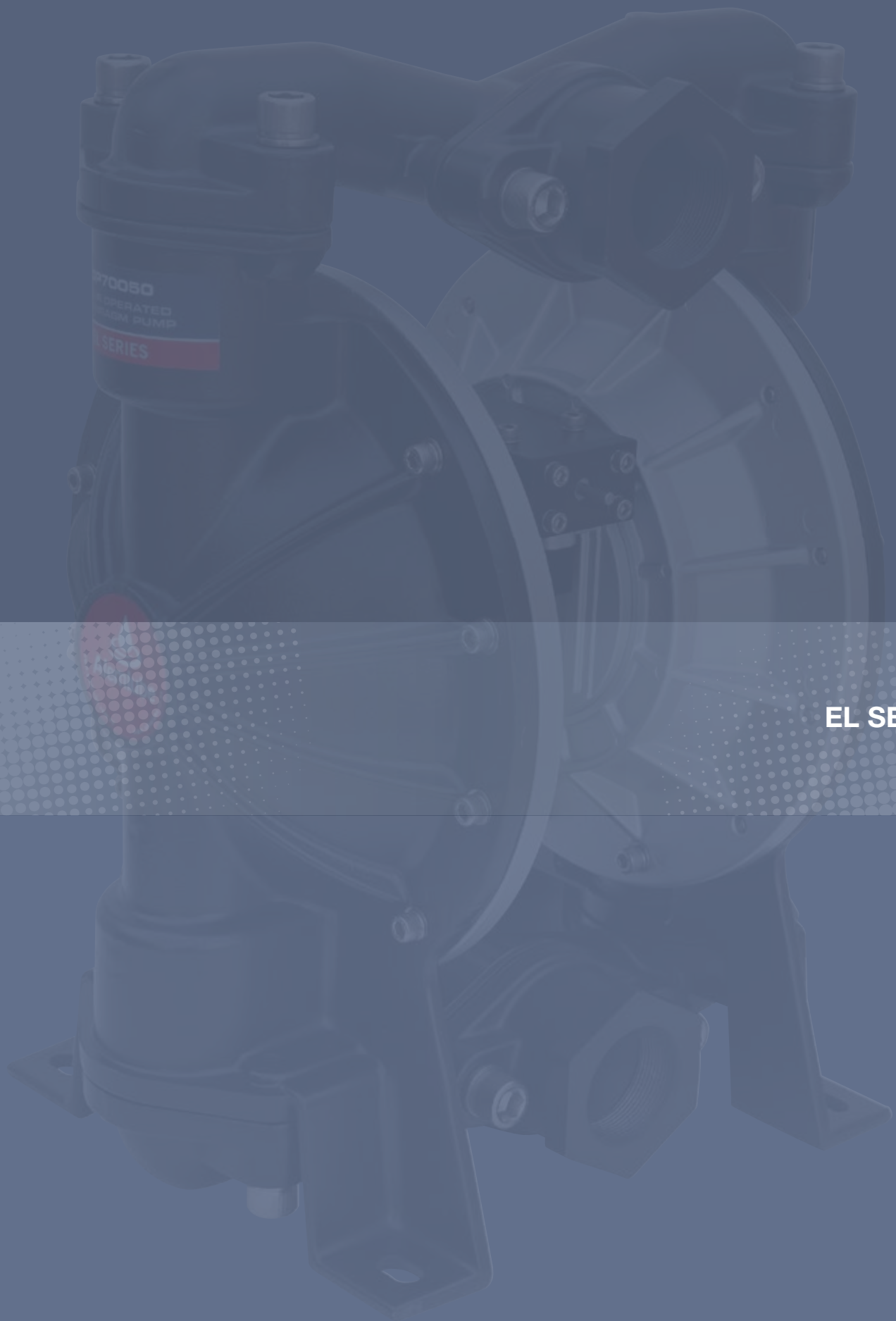
10.7 FUEL TRANSFER AND HOSE STORAGE & RETRIEVAL EQUIPMENT



| | | D | Box Qty. | Suggested List Price |
|----------------|---|----------|----------|----------------------|
| 505224S | Samoa fuel hose reel - 15m x 19mm ID hose | 1 | 1 | \$2,163.00 |
| 201S | Alemlube 205L rotary drum pump | C | 1 | \$165.90 |

**i** DID YOU KNOW

The Samoa 505 Series double pedestal arm full metal hose reel range has proved itself time and time again when delivering low pressure air, water, AdBlue®, medium pressure lubricants, high pressure grease and diesel in vehicle workshops, field service units, lube trucks, general industry, construction and mining. Specifically manufactured for underground coal mine use, the Samoa 505224S fuel hose reel with no external aluminium parts and high quality steel components incorporates the spool mounted on two permanently lubricated sealed ball bearings which reduce torque load on the power spring resulting in smooth operation and extreme durability. Capable of being installed on a wall, ceiling, floor or tank the Samoa 505224 outlet mouth can be positioned in any one of seven positions for optimum operation. This rigid and stable structured fuel hose reel can withstand the most demanding underground coal mine applications known.



EL SERIES

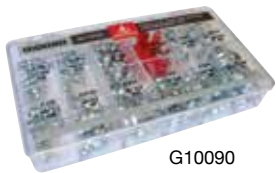
• A 12 month warranty applies to Alemlube EL Series products

11.1 GREASING



| | | C | |
|-------------------|---|----------|----------------------|
| | | Box Qty. | Suggested List Price |
| G10010N | Alemlube EL Series 450g trigger action grease gun | 1 | \$57.90 |
| G10020N | Alemlube EL Series 450g lever action grease gun | 1 | \$40.00 |
| G10030 | Alemlube EL Series 450g air operated grease gun | 1 | \$138.30 |
| G10040N | Alemlube EL Series 450g Lithium-ion 18V cordless grease gun | 1 | \$486.00 |
| G10044N | Alemlube EL Series 400g Lithium-ion 18V cordless grease gun | 1 | \$457.00 |
| G10050N | Alemlube EL Series 85g mini pistol grease gun only | 1 | \$24.60 |
| *G10051 | Alemlube EL Series 85g mini pistol grease gun with rigid & flexible extensions and grease cartridge | 1 | \$33.00 |
| *G10051-GC | Alemlube EL Series 85g grease cartridge | 1 | \$5.80 |
| G10060 | Alemlube EL Series grease gun coupler | 1 | \$6.20 |
| G10070 | Alemlube EL Series 30cm grease gun flex | 1 | \$10.30 |
| G10080 | Alemlube EL Series 45cm grease gun flex | 1 | \$13.10 |

11.2 GREASE NIPPLE ASSORTMENT KIT



| | | A | |
|----------------|---|----------|----------------------|
| | | Box Qty. | Suggested List Price |
| *G10090 | Alemlube EL Series 90 piece grease nipple and dust cover assortment kit | 1 | \$127.80 |

11.3 OIL AND WASTE OIL



| | | C | |
|-----------------|---|----------|----------------------|
| | | Box Qty. | Suggested List Price |
| #O30010N | Alemlube EL Series 20L gear oil drum pump | 1 | \$45.60 |
| WO50010 | Alemlube EL Series oil suction gun | 1 | \$26.00 |

11.4 DIESEL FUEL



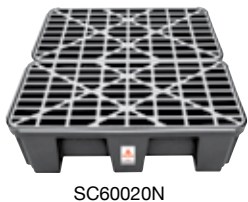
| | | D | Box Qty. | Suggested List Price |
|----------------|---|----------|----------|----------------------|
| F20010 | Alemlube EL Series 12V diesel fuel drum pump | | 1 | \$496.00 |
| F20020N | Alemlube EL Series 12V diesel refuelling kit | | 1 | \$329.00 |
| F20060 | Alemlube EL Series Bi-lobe refuelling drum pump with all accessories | | 1 | \$267.80 |
| F20050 | Alemlube EL Series Rotary diesel fuel drum pump | | 1 | \$130.50 |
| F20040 | Alemlube EL Series Manual diesel fuel nozzle | | 1 | \$32.70 |
| F20030 | Alemlube EL Series Automatic diesel fuel shut off fuel nozzle | | 1 | \$167.50 |
| F20030U | Alemlube EL Series Automatic ULP shut off nozzle | | 1 | \$174.90 |
| F20025 | Alemlube EL Series Automatic diesel fuel shut off nozzle without swivel - 3/4" BSP(f) | | 1 | \$138.70 |

11.5 AGRICULTURAL SPRAY PUMPS



| | | D | Box Qty. | Suggested List Price |
|------------------|---|----------|----------|----------------------|
| *SP100010 | Alemlube EL Series 12V chemical spray pump - 2.6 L/min | | 1 | \$59.80 |
| *SP100020 | Alemlube EL Series 12V chemical spray pump - 2.6 L/min with on-off switch | | 1 | \$66.30 |
| *SP100030 | Alemlube EL Series 12V chemical spray pump - 3.8 L/min | | 1 | \$63.10 |
| *SP100040 | Alemlube EL Series 12V chemical spray pump - 3.8 L/min with on-off switch | | 1 | \$69.60 |

11.6 SPILL CONTAINMENT



| | | D | Box Qty. | Suggested List Price |
|-----------------|---|----------|----------|----------------------|
| SC60010N | Alemlube EL Series 2 drum spill container | | 1 | \$545.00 |
| SC60020N | Alemlube EL Series 4 drum spill container | | 1 | \$692.00 |

11.7 BRAKE CLEANER FLUID SPRAYERS



| | | C | Box Qty. | Suggested List Price |
|------------------|---|----------|----------|----------------------|
| *BC110020 | Alemlube EL Series 2L brake cleaner fluid sprayer | | 12 | \$13.60 |
| *BC110010 | Alemlube EL Series 1L brake cleaner fluid sprayer | | 12 | \$14.70 |

11.8 AIR OPERATED DOUBLE DIAPHRAGM PUMPS



DP70015



DP70040

| | | D | Box Qty. | Suggested List Price |
|----------------|---|----------|----------|----------------------|
| DP70015 | Alemlube EL Series 1/2" air operated diaphragm pump | | 1 | \$885.00 |
| DP70020 | Alemlube EL Series 3/4" air operated diaphragm pump | | 1 | \$1,206.00 |
| DP70025 | Alemlube EL Series 1" air operated diaphragm pump | | 1 | \$1,599.00 |
| DP70040 | Alemlube EL Series 1-1/2" air operated diaphragm pump | | 1 | \$2,475.00 |
| DP70050 | Alemlube EL Series 2" air operated diaphragm pump | | 1 | \$3,086.00 |

11.9 ADBLUE® TRANSFER & METERING



AB80005



AB80020



AB80025



AB80050



AB80055

| | | D | Box Qty. | Suggested List Price |
|----------------|---|----------|----------|----------------------|
| AB80005 | Alemlube EL Series AdBlue® IBC 240V kit with meter and auto stainless steel nozzle (with mounting base) | | 1 | \$1,879.00 |
| AB80010 | Alemlube EL Series AdBlue® IBC 240V kit without meter and plastic nozzle (no mounting base) | | 1 | \$1,186.00 |
| AB80015 | Alemlube EL Series AdBlue® 205L 230V drum kit w/plastic manual nozzle, suction & delivery hoses | | 1 | \$1,164.00 |
| AB80020 | Alemlube EL Series AdBlue® 205L 12V drum kit w/plastic manual nozzle, suction & delivery hoses | | 1 | \$481.00 |
| AB80025 | Alemlube EL Series AdBlue® 230V pump - 30 L/min | | 1 | \$594.00 |
| AB80030 | Alemlube EL Series AdBlue® 12V pump - 32 L/min | | 1 | \$478.00 |
| AB80035 | Alemlube EL Series AdBlue® 24V pump - 32 L/min | | 1 | \$478.00 |
| AB80040 | Alemlube EL Series AdBlue® auto shut off nozzle - stainless | | 1 | \$405.00 |
| AB80045 | Alemlube EL Series AdBlue® manual shut off nozzle - plastic | | 1 | \$67.60 |
| AB80050 | Alemlube EL Series AdBlue® electronic meter | | 1 | \$305.00 |
| AB80055 | Alemlube EL Series AdBlue® rotary hand operated drum pump | | 1 | \$131.80 |
| AB80060 | Alemlube EL Series AdBlue® hose reel complete with 8m x 19mm ID hose | | 1 | \$685.00 |

11.10 LARGE CAPACITY SPRING REWIND HOSE REELS



HR90005



HR90010



HR90015



HR90045



HR90070

| | | D | Box Qty. | Suggested List Price |
|-----------------|--|----------|----------|----------------------|
| *HR90005 | Alemlube EL Series air, water & fuel reel, 1" x 30m ID | | 1 | \$1,737.00 |
| *HR90010 | Alemlube EL Series air, water & fuel reel, 1" x 15m ID | | 1 | \$1,435.00 |
| *HR90015 | Alemlube EL Series air, water & fuel reel, 1" x 8m ID | | 1 | \$936.00 |
| *HR90020 | Alemlube EL Series air, water & fuel reel, 3/4" x 40m ID | | 1 | \$2,115.00 |
| *HR90025 | Alemlube EL Series air, water & fuel reel, 3/4" x 20m ID | | 1 | \$1,582.00 |
| *HR90030 | Alemlube EL Series air, water & fuel reel, 3/4" x 12m ID | | 1 | \$926.00 |
| *HR90035 | Alemlube EL Series air, water & fuel reel, 1/2" x 50m ID | | 1 | \$1,807.00 |
| *HR90040 | Alemlube EL Series air, water & fuel reel, 1/2" x 30m ID | | 1 | \$1,314.00 |
| *HR90045 | Alemlube EL Series air, water & fuel reel, 1/2" x 25m ID | | 1 | \$1,030.00 |
| *HR90050 | Alemlube EL Series oil reel, 1" x 15m ID | | 1 | \$1,739.00 |
| *HR90055 | Alemlube EL Series oil reel, 3/4" x 20m ID | | 1 | \$1,658.00 |
| *HR90060 | Alemlube EL Series oil reel, 1/2" x 30m ID | | 1 | \$1,484.00 |
| *HR90065 | Alemlube EL Series oil reel, 1/2" x 25m ID | | 1 | \$1,136.00 |
| *HR90070 | Alemlube EL Series grease reel, 3/8" x 30m ID | | 1 | \$1,480.00 |
| *HR90075 | Alemlube EL Series grease reel, 3/8" x 25m ID | | 1 | \$1,134.00 |

11.11 AIR AND WATER HOSE REELS

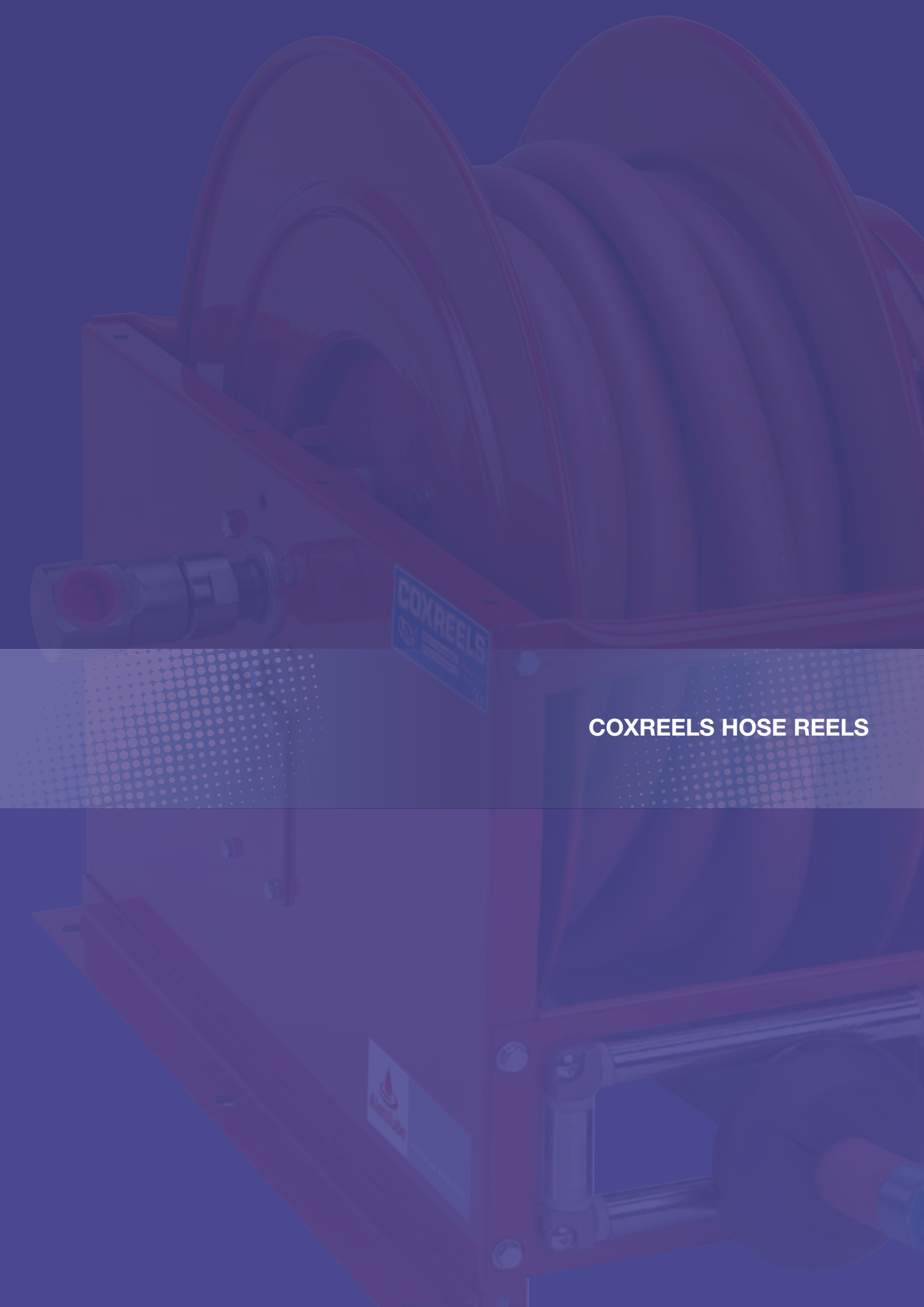


HR40010



HR40040

| | | D | Box Qty. | Suggested List Price |
|-----------------|--|----------|----------|----------------------|
| HR40010 | Alemlube EL Series 15m x 10mm ID air hose reel | | 1 | \$163.40 |
| HR40020 | Alemlube EL Series 15m x 12mm ID air & water hose reel | | 1 | \$224.70 |
| *HR40030 | Alemlube EL Series 20m x 10mm ID air hose reel | | 1 | \$237.60 |
| *HR40040 | Alemlube EL Series 15m x 12mm ID air hose reel | | 1 | \$260.30 |
| *HR40050 | Alemlube EL Series 20m x 12mm ID water hose reel | | 1 | \$285.10 |



COXREELS HOSE REELS

12.1 SPRING REWIND HOSE REELS

SLP & SMP SERIES SINGLE HOSE SPRING REELS

SLP LOW PRESSURE SERIES

| WITH HOSE | | | DESCRIPTION | | | WITHOUT HOSE | | |
|-----------|--------|------------|-------------|--------|------------|--------------|--------|------------|
| MODEL | WEIGHT | PRICE | I.D. | LENGTH | W.P. (PSI) | MODEL | WEIGHT | PRICE |
| SLP-4100 | 71 | \$2,975.00 | 1/2" | 100' | 300 | SLPL-4100 | 60 | \$2,438.00 |
| SLP-550 | 60 | \$3,049.00 | 3/4" | 50' | 300 | SLPL-550 | 51 | \$2,438.00 |
| SLPF-550* | 62 | \$3,298.00 | 3/4" | 50' | 300 | - | | |
| SLP-575 | 71 | \$3,298.00 | 3/4" | 75' | 300 | SLPL-575 | 58 | \$2,758.00 |
| SLP-5100 | 84 | \$3,954.00 | 3/4" | 100' | 300 | SLPL-5100 | 67 | \$3,229.00 |
| SLP-625 | 60 | \$2,751.00 | 1" | 25' | 300 | SLPL-625 | 48 | \$2,438.00 |
| SLP-650 | 70 | \$3,294.00 | 1" | 50' | 300 | SLPL-650 | 51 | \$2,438.00 |
| SLPF-650* | 70 | \$3,403.00 | 1" | 50' | 300 | - | | |
| SLP-675 | 80 | \$3,798.00 | 1" | 75' | 300 | SLPL-675 | 60 | \$2,704.00 |
| SLP-725 | 56 | \$3,441.00 | 1 1/4" | 25' | 250 | SLPL-725 | 48 | \$2,704.00 |
| SLPF-750 | 68 | \$4,535.00 | 1 1/4" | 50' | 250 | SLPL-750 | 53 | \$3,883.00 |
| SLPF-825 | 62 | \$4,285.00 | 1 1/2" | 25' | 250 | SLPL-825 | 48 | \$3,828.00 |
| SLPF-835 | 81 | \$4,400.00 | 1 1/2" | 35' | 250 | SLPL-835 | 61 | \$3,828.00 |
| SLPF-850 | 82 | \$4,901.00 | 1 1/2" | 50' | 250 | SLPL-850 | 70 | \$3,913.00 |

*These models are supplied with fuel hose

SMP MEDIUM PRESSURE SERIES

| WITH HOSE | | | DESCRIPTION | | | WITHOUT HOSE | | |
|-----------|--------|------------|-------------|--------|------------|--------------|--------|------------|
| MODEL | WEIGHT | PRICE | I.D. | LENGTH | W.P. (PSI) | MODEL | WEIGHT | PRICE |
| SMP-4100 | 74 | \$3,516.00 | 1/2" | 100' | 2000 | SMPL-4100 | 60 | \$2,604.00 |
| SMP-550 | 65 | \$3,516.00 | 3/4" | 50' | 1250 | SMPL-550 | 53 | \$2,604.00 |
| SMP-575 | 76 | \$4,082.00 | 3/4" | 75' | 1250 | SMPL-575 | 58 | \$3,210.00 |
| SMP-5100 | 90 | \$4,695.00 | 3/4" | 100' | 1250 | SMPL-5100 | 70 | \$3,423.00 |
| SMP-625 | 60 | \$3,081.00 | 1" | 25' | 1000 | SMPL-625 | 51 | \$2,294.00 |
| SMP-650 | 71 | \$3,589.00 | 1" | 50' | 1000 | SMPL-650 | 53 | \$2,887.00 |
| SMP-675 | 99 | \$4,349.00 | 1" | 75' | 1000 | SMPL-675 | 62 | \$3,296.00 |

FOR OTHER PRESSURES AND TEMPERATURE REQUIREMENTS, CONSULT BRANCH

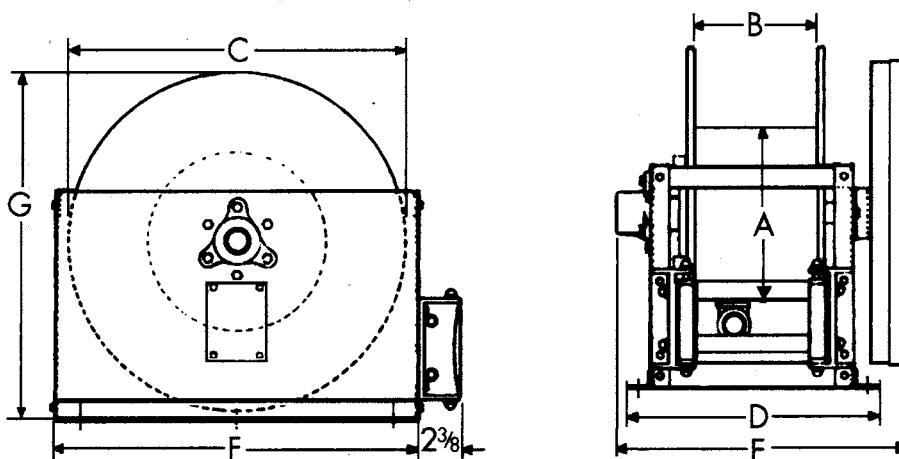
SLP LOW PRESSURE SERIES

TWO BRAID HOSE
Maximum pressure up to 300psi.

| WITH HOSE | | REEL DIMENSIONS | | | | | | | CAPACITY OF REEL | | | | INLET OUTLET N.P.T. | WITHOUT HOSE |
|---|------|-----------------|-----|-----|------|------|------|------|------------------|-----------------------------------|-----|-----|---------------------------|-----------------|
| MODEL | WGT. | A | B | C | D | E | F | G | I.D. | O.D. | FT. | PSI | | MODEL |
| SLP-4100 | 154 | 10½" | 7½" | 20" | 15¾" | 19½" | 22½" | 20½" | ½" | 7/8" | 100 | 300 | ½" | SLPL-4100 |
| SLP-550 | 130 | 10½" | 7½" | 20" | 15¾" | 19" | 22½" | 20½" | ¾" | 1¼" | 50 | 300 | ¾" | SLPL-550 |
| SLPF-550* | 135 | 10½" | 7½" | 20" | 15¾" | 19" | 22½" | 20½" | ¾" | 1¼" | 50 | 300 | ¾" | SLPL-550 |
| SLP-575 | 154 | 10½" | 7½" | 24" | 15¾" | 19" | 26" | 24½" | ¾" | 1¼" | 75 | 300 | ¾" | SLPL-575 |
| SLP-5100 | 183 | 10½" | 7½" | 24" | 15¾" | 20" | 26" | 24½" | ¾" | 1¼" | 100 | 300 | ¾" | SLPL-5100 |
| SLP-625 | 123 | 10½" | 7½" | 20" | 15¾" | 20½" | 22½" | 20½" | 1" | 17/16" | 25 | 300 | 1" | SLPL-625 |
| SLP-650 | 140 | 10½" | 7½" | 24" | 15¾" | 21" | 26" | 24½" | 1" | 17/16" | 50 | 300 | 1" | SLPL-650 |
| SLPF-650* | 145 | 10½" | 7½" | 24" | 15¾" | 21" | 26" | 24½" | 1" | 17/16" | 50 | 300 | 1" | SLPL-650 |
| SLP-675 | 174 | 10½" | 7½" | 28" | 15¾" | 21" | 30" | 28½" | 1" | 17/16" | 75 | 300 | 1" | SLPL-675 |
| Consult Factory For Reels With Hose | | 10½" | 7½" | 24" | 15¾" | 18" | 26" | 24½" | 1¼" | 1 ¹³ / ₁₆ " | 25 | 250 | 1½" | SLPL-725 |
| | | 10½" | 7½" | 28" | 15¾" | 18" | 30" | 28½" | 1¼" | 1 ¹³ / ₁₆ " | 50 | 250 | 1½" | SLPL-750 |
| | | 10½" | 7½" | 24" | 15¾" | 18" | 26" | 24½" | 1½" | 2 ¹ / ₁₆ " | 25 | 250 | 1½" | SLPL-825 |
| | | 10½" | 7½" | 28" | 15¾" | 18" | 30" | 28½" | 1½" | 2 ¹ / ₁₆ " | 35 | 250 | 1½" | SLPL-835 |

*These models are supplied with fuel hose

SLP & SMP SERIES



12.2 HAND AND POWER REWIND HOSE REELS

1125, 1175, 1185 & 1195 SERIES GEARED CRANK – MOTOR REELS

NOTE: ADD SUFFIX LETTERS OF MOTOR REWIND SELECTED TO THE END OF THE MODEL NUMBER

| WITHOUT HOSE | | | | |
|--------------|--------------------------|-------------------------------|------------|---|
| MODEL | WEIGHT | NO SUFFIX | SUFFIX A | SUFFIX E |
| | REEL ONLY LESS MOTOR* | MANUAL REWIND DIRECT CRANK | AIR REWIND | 12V DC 1/3 HP NON-EXPLOSION ELECTRIC REWIND |
| 1125-4-100 | 36 | \$934.00 | \$2,277.00 | \$2,250.00 |
| 1125-4-200 | 39 | \$934.00 | \$2,277.00 | \$2,250.00 |
| 1125-4-325 | 48 | \$984.00 | \$2,379.00 | \$2,332.00 |
| 1125-4-450 | 52 | \$984.00 | \$2,446.00 | \$2,409.00 |
| 1125-4-500 | 58 | \$1,038.00 | \$2,446.00 | \$2,409.00 |
| 1125-5-50 | 38 | \$1,188.00 | \$2,449.00 | \$2,417.00 |
| 1125-5-100 | 42 | \$1,188.00 | \$2,449.00 | \$2,417.00 |
| 1125-5-175 | 50 | \$1,233.00 | \$2,535.00 | \$2,510.00 |
| 1125-5-200 | 55 | \$1,233.00 | \$2,535.00 | \$2,510.00 |
| 1125-5-250 | 59 | \$1,292.00 | \$2,698.00 | \$2,568.00 |
| 1125-6-35 | 50 | \$1,626.00 | \$3,030.00 | \$2,997.00 |
| 1125-6-50 | 55 | \$1,653.00 | \$3,061.00 | \$3,053.00 |
| 1125-6-75 | 62 | \$1,683.00 | \$3,086.00 | \$3,053.00 |
| 1125-6-100 | 69 | \$1,683.00 | \$3,086.00 | \$3,053.00 |
| 1175-6-50 | 67 | \$1,837.00 | \$3,630.00 | \$3,593.00 |
| 1175-6-100 | 70 | \$1,838.00 | \$3,630.00 | \$3,593.00 |
| 1175-6-125 | 72 | \$1,999.00 | \$3,752.00 | \$3,813.00 |
| 1175-6-150 | 75 | \$1,999.00 | \$3,752.00 | \$3,813.00 |
| 1175-6-200 | 83 | \$1,999.00 | \$3,752.00 | \$3,813.00 |
| 1185-1124 | 76 | \$2,471.00 | \$4,149.00 | \$4,126.00 |
| 1185-1524 | 81 | \$2,471.00 | \$4,149.00 | \$4,126.00 |
| 1185-2024 | 94 | \$2,471.00 | \$4,149.00 | \$4,126.00 |
| 1185-2028 | 109 | \$2,471.00 | \$4,149.00 | \$4,126.00 |
| 1185-2528 | 122 | \$2,471.00 | \$4,149.00 | \$4,126.00 |
| 1185-3324 | 154 | \$2,471.00 | \$4,149.00 | \$4,126.00 |
| 1185-3328 | 169 | \$2,880.00 | \$4,835.00 | \$4,835.00 |
| 1195-932 | 128 | \$5,638.00 | \$6,075.00 | \$6,181.00 |
| 1195-1332 | 148 | \$5,638.00 | \$6,075.00 | \$6,181.00 |
| 1195-2032 | 186 | \$5,638.00 | \$6,075.00 | \$6,181.00 |
| 1195-1728 | 134 | \$5,638.00 | \$6,075.00 | \$6,181.00 |
| 1195-2428 | 169 | \$5,638.00 | \$6,075.00 | \$6,181.00 |
| 1195-3328 | 218 | #N/A | #N/A | #N/A |
| 1195-3228 | 218 | \$5,638.00 | \$6,075.00 | \$6,181.00 |

FOR 1125 SERIES 5,000psi : Add "HP" as Prefix

ADD

\$278.20

FOR 1125 SERIES CHAIN GUARD

ADD

\$160.60

| ELECTRIC MOTOR ADD ONS | | |
|---|-----|----------|
| FOR ED MOTOR - SUFFIX ED (EXPLOSION PROOF) | ADD | \$323.90 |
| FOR AC MOTOR - SUFFIX EA (EXPLOSION PROOF) | ADD | \$821.00 |
| FOR 24V MOTOR - SUFFIX E | ADD | \$735.00 |
| NOTE: Add electric motor price to the "Suffix E" list price | | |

| 1125 STACKING BRACKET | | |
|------------------------------|--------|----------|
| MODEL | WEIGHT | PRICE |
| 7480-12 | 8 | \$282.00 |
| 7480-18 | 8 | \$282.00 |
| 7480-24 | 8 | \$282.00 |
| 7480-28 | 8 | \$282.00 |

**PR SERIES
PORTABLE REEL CARTS**

| WITHOUT HOSE | | |
|---------------------|--------|------------|
| MODEL | WEIGHT | PRICE |
| PR-1125-12 | 7 | \$535.00 |
| PR-1175-11 | 7 | \$535.00 |
| PRP-1125-12 | 7 | \$1,305.00 |
| PRP-1175-11 | 7 | \$1,305.00 |

**100 SERIES
HAND CRANK REELS**

| WITHOUT HOSE | | |
|---------------------|--------|------------|
| MODEL | WEIGHT | PRICE |
| 112-3-100 | 9 | \$652.00 |
| 112-3-150 | 10 | \$677.00 |
| 117-3-250 | 14 | \$719.00 |
| 117-3-400 | 15 | \$746.00 |
| 117-3-550 | 17 | \$771.00 |
| 112-4-75 | 10 | \$712.00 |
| 117-4-225 | 15 | \$785.00 |
| 117-4-350 | 17 | \$814.00 |
| 117-5-100 | 10 | \$1,160.00 |

**CM & DM SERIES
PORTABLE HAND CRANK**

| WITHOUT HOSE | | |
|---------------------|--------|------------|
| MODEL | WEIGHT | PRICE |
| 112-3-100-CM | 10 | \$851.00 |
| 112-3-150-CM | 11 | \$877.00 |
| 117-4-225-CM | 14 | \$999.00 |
| 117-3-200-DM | 17 | \$1,188.00 |
| 117-4-225-DM | 18 | \$1,265.00 |

**SM SERIES
SWIVEL MOUNT HAND CRANK**

| WITHOUT HOSE | | |
|---------------------|--------|----------|
| MODEL | WEIGHT | PRICE |
| SM12-3-100 | 7 | \$812.00 |
| SM17-3-250 | 9 | \$837.00 |
| SM17-4-125 | 9 | \$899.00 |

| SM BRACKETS | | |
|--------------------|--------|----------|
| MODEL | WEIGHT | PRICE |
| SMK-202 | 3 | \$207.00 |

Please note that the 1125 and 1175 series of hose reels are not available in stainless steel

12.3 HAND AND POWER REWIND HOSE REELS DIMENSIONS

CHALLENGER & SWIVEL MOUNT HOSE REELS

| CAPACITY OF REEL (FT.) | | | MODEL NUMBER | INLET OUTLET N.P.T. | REEL DIMENSIONS (E, C, AND G ARE OVERALL DIMENSIONS) | | | | | | | |
|------------------------|------|------|--------------|---------------------------|---|---------|-----|---------|---------|-----|----|---------|
| I.D. | 3/8" | 1/2" | | | A | B | C | D | E | G | L | M |
| O.D. | 3/4" | 7/8" | | | | | | | | | | |
| | 100 | | 112-3-100 | 3/8" | 5 1/2" | 8" | 12" | 9 1/2" | 15 1/4" | 13" | 3" | 5 1/2" |
| | 150 | | 112-3-150 | 3/8" | 5 1/2" | 12 1/2" | 12" | 14" | 19 3/4" | 13" | 3" | 10" |
| | 250 | | 117-3-250 | 3/8" | 5 1/2" | 8" | 17" | 9 1/2" | 15 1/4" | 18" | 3" | 5 1/2" |
| | 400 | | 117-3-400 | 3/8" | 5 1/2" | 12 1/2" | 17" | 14" | 19 3/4" | 18" | 3" | 10" |
| | 550 | | 117-3-550 | 3/8" | 5 1/2" | 18" | 17" | 19 1/2" | 24 1/4" | 18" | 3" | 15 1/2" |
| | 75 | | 112-4-75 | 1/2" | 5 1/2" | 12 1/2" | 12" | 14" | 20" | 13" | 3" | 10" |
| | 225 | | 117-4-225 | 1/2" | 5 1/2" | 12 1/2" | 17" | 14" | 20" | 18" | 3" | 10" |
| | 350 | | 117-4-350 | 1/2" | 5 1/2" | 18" | 17" | 19 1/2" | 24 1/2" | 18" | 3" | 15 1/2" |

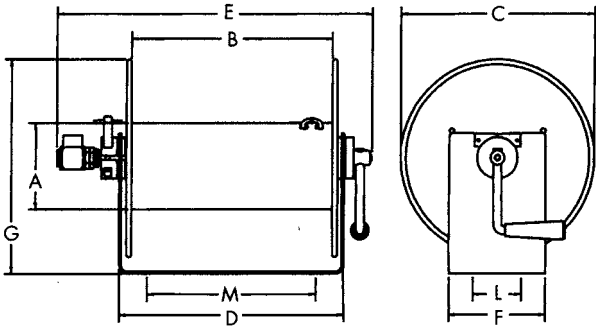
1125 SERIES HAND CRANK & POWER REWIND HOSE REELS

| CAPACITY OF REEL (FT.) | | | | | MODEL NUMBER | REEL DIMENSIONS | | | | | | | | | | | INLET OUTLET N.P.T. | WORKING PRESSURE P.S.I. |
|------------------------|------|------|--------|---------|--------------|-----------------|---------|---------|---------|------------|-------------|----------|---------|------------|-------------|----------|---------------------------|-------------------------------|
| I.D. | 3/8" | 1/2" | 3/4" | 1" | | A | B | C | D | CRANK E | ELECT. E | AIR E | F | CRANK G | ELECT. G | AIR G | | |
| O.D. | 3/4" | 7/8" | 1 1/4" | 1 7/16" | | | | | | | | | | | | | | |
| | 140 | 100 | | | 1125-4-100 | 6 1/4" | 6" | 17 1/2" | 11 3/8" | 21 3/4" | 18 3/8" | 16 1/2" | 15 1/8" | 18 1/8" | 18 3/4" | 18 3/4" | 1/2" | 3000 |
| | 300 | 200 | | | 1125-4-200 | 6 1/4" | 12" | 17 1/2" | 17 3/8" | 27 3/4" | 24 3/8" | 22 1/2" | 15 1/8" | 18 1/8" | 18 3/4" | 18 3/4" | 1/2" | 3000 |
| | 450 | 325 | | | 1125-4-325 | 6 1/4" | 18" | 17 1/2" | 23 3/8" | 33 3/4" | 30 3/8" | 28 1/2" | 15 1/8" | 18 1/8" | 18 3/4" | 18 3/4" | 1/2" | 3000 |
| | 625 | 450 | | | 1125-4-450 | 6 1/4" | 24" | 17 1/2" | 29 3/8" | 39 3/4" | 36 3/8" | 34 1/2" | 15 1/8" | 18 1/8" | 18 3/4" | 18 3/4" | 1/2" | 3000 |
| | 700 | 500 | | | 1125-4-500 | 6 1/4" | 28" | 17 1/2" | 33 3/8" | 43 3/4" | 40 3/8" | 38 1/2" | 15 1/8" | 18 1/8" | 18 3/4" | 18 3/4" | 1/2" | 3000 |
| | 100 | 50 | | | 1125-5-50 | 6 1/4" | 6" | 17 1/2" | 11 3/8" | 21 1/4" | 18 3/8" | 16 1/2" | 15 1/8" | 18 1/8" | 18 3/4" | 18 3/4" | 3/4" | 3000 |
| | 200 | 100 | | | 1125-5-100 | 6 1/4" | 12" | 17 1/2" | 17 3/8" | 27 1/4" | 24 3/8" | 22 1/2" | 15 1/8" | 18 1/8" | 18 3/4" | 18 3/4" | 3/4" | 3000 |
| | 325 | 175 | | | 1125-5-175 | 6 1/4" | 18" | 17 1/2" | 23 3/8" | 33 1/4" | 30 3/8" | 28 1/2" | 15 1/8" | 18 1/8" | 18 3/4" | 18 3/4" | 3/4" | 3000 |
| | 450 | 200 | | | 1125-5-200 | 6 1/4" | 24" | 17 1/2" | 29 3/8" | 39 1/4" | 36 3/8" | 34 1/2" | 15 1/8" | 18 1/8" | 18 3/4" | 18 3/4" | 3/4" | 3000 |
| | 500 | 250 | | | 1125-5-250 | 6 1/4" | 28" | 17 1/2" | 33 3/8" | 43 1/4" | 40 3/8" | 38 1/2" | 15 1/8" | 18 1/8" | 18 3/4" | 18 3/4" | 3/4" | 3000 |
| | 50 | 35 | | | 1125-6-35 | 8 1/4" | 9 1/2" | 17 1/2" | 14 7/8" | 25 1/4" | 21 7/8" | 20" | 15 1/8" | 18 1/8" | 18 3/4" | 18 3/4" | 1" | 1000 |
| | 75 | 50 | | | 1125-6-50 | 8 1/4" | 15 1/2" | 17 1/2" | 20 7/8" | 31 1/4" | 27 7/8" | 26" | 15 1/8" | 18 1/8" | 18 3/4" | 18 3/4" | 1" | 1000 |
| | 120 | 75 | | | 1125-6-75 | 8 1/4" | 22" | 17 1/2" | 27 3/8" | 37 3/4" | 34 3/8" | 32 1/2" | 15 1/8" | 18 1/8" | 18 3/4" | 18 3/4" | 1" | 1000 |
| | 150 | 100 | | | 1125-6-100 | 8 1/4" | 28" | 17 1/2" | 33 3/8" | 43 3/4" | 40 3/8" | 38 1/2" | 15 1/8" | 18 1/8" | 18 3/4" | 18 3/4" | 1" | 1000 |

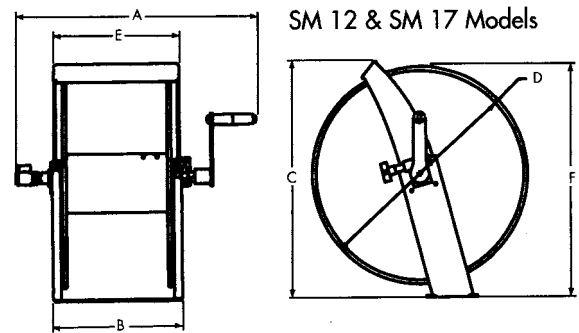
1175 SERIES HAND CRANK & POWER REWIND HOSE REELS

| CAPACITY OF REEL (FT.) | | | | | MODEL NUMBER | REEL DIMENSIONS | | | | | | | | | INLET OUTLET N.P.T. | WORKING PRESSURE P.S.I. |
|------------------------|--------|---------|----------|---------|--------------|-----------------|---------|-----|----------|----------|-----------|----------|---------|---------|---------------------------|-------------------------------|
| I.D. | 3/4" | 1" | 1 1/4" | 1 1/2" | | A | B | C | D | CRANK | ELECT. | AIR | F | G | | |
| O.D. | 1 1/4" | 1 7/16" | 1 13/16" | 2 1/16" | | | | | | E | E | E | | | | |
| 100 | 50 | | | | 1175-6-50 | 10 1/2" | 7 1/2" | 24" | 12 7/8" | 24 3/4" | 20 3/8" | 18 1/2" | 20 1/8" | 26 1/4" | 1" | 3000 |
| 150 | 100 | | | | 1175-6-100 | 10 1/2" | 11 1/2" | 24" | 16 7/8" | 28 3/4" | 24 3/8" | 22 1/2" | 20 1/8" | 26 1/4" | 1" | 3000 |
| 200 | 125 | | | | 1175-6-125 | 10 1/2" | 13 1/2" | 24" | 18 7/8" | 30 3/4" | 26 3/8" | 24 1/2" | 20 1/8" | 26 1/4" | 1" | 3000 |
| 250 | 150 | | | | 1175-6-150 | 10 1/2" | 15 1/2" | 24" | 20 7/8" | 32 3/4" | 28 3/8" | 26 1/2" | 20 1/8" | 26 1/4" | 1" | 3000 |
| 300 | 200 | | | | 1175-6-200 | 10 1/2" | 20" | 24" | 25 3/8" | 37 1/4" | 32 7/8" | 31" | 20 1/8" | 26 1/4" | 1" | 3000 |
| | | 75 | 50 | | 1175-8-50 | 10 1/2" | 11 1/2" | 24" | 17 1/16" | 24 1/16" | 26 3/16" | 24 5/16" | 20 1/8" | 27" | 1 1/2" | 600 |
| | | 100 | 75 | | 1175-8-75 | 10 1/2" | 15 1/2" | 24" | 21 1/16" | 28 1/16" | 30 3/16" | 28 5/16" | 20 1/8" | 27" | 1 1/2" | 600 |
| | | 125 | 100 | | 1175-8-100 | 10 1/2" | 20" | 24" | 25 9/16" | 32 9/16" | 40 11/16" | 38 9/16" | 20 1/8" | 27" | 1 1/2" | 600 |
| | | 180 | 125 | | 1175-8-125 | 10 1/2" | 20" | 28" | 25 9/16" | 32 9/16" | 40 11/16" | 38 9/16" | 22 3/8" | 30" | 1 1/2" | 600 |
| | | 220 | 150 | | 1175-8-150 | 10 1/2" | 25" | 28" | 30 9/16" | 37 9/16" | 45 11/16" | 43 9/16" | 22 3/8" | 30" | 1 1/2" | 600 |

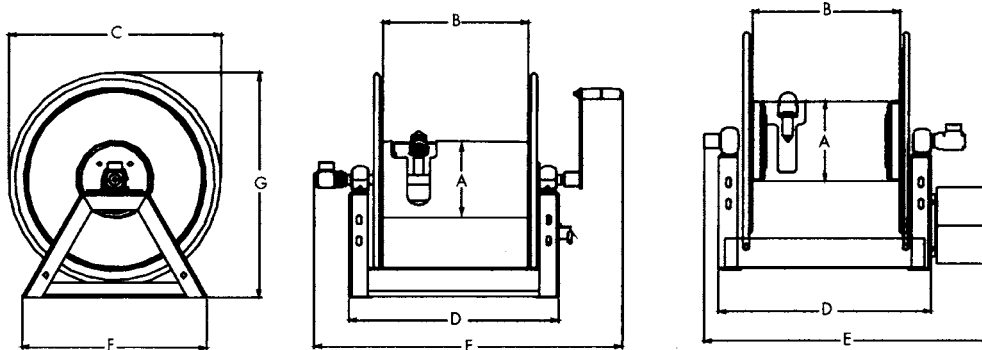
100 SERIES



SM SERIES



1125 & 1175 SERIES



HAND CRANK

POWER REWIND

1185 SERIES

| MODEL | STANDARD CAP. | | | OPTIONAL CAP* | | | INLET SWIVEL ASSEMBLY | OUTLET RISER | PSI | APRX. LBS. | SIZE INDEX |
|-----------|---------------|----------------------------------|-----|---------------|-----------------------------------|-----|-----------------------|--------------|-----|------------|------------|
| | I.D. | O.D. | FT. | I.D. | O.D. | FT. | | | | | |
| 1185-1124 | 1½" | 2 ¹ / ₁₆ " | 50 | 1¼" | 1 ¹³ / ₁₆ " | 75 | 1½" F NPT | 1½" F NPT | 600 | 76 | 1 |
| 1185-1524 | 1½" | 2 ¹ / ₁₆ " | 75 | 1¼" | 1 ¹³ / ₁₆ " | 100 | 1½" F NPT | 1½" F NPT | 600 | 81 | 2 |
| 1185-2024 | 1½" | 2 ¹ / ₁₆ " | 100 | 1¼" | 1 ¹³ / ₁₆ " | 125 | 1½" F NPT | 1½" F NPT | 600 | 94 | 3 |
| 1185-2028 | 1½" | 2 ¹ / ₁₆ " | 125 | 1¼" | 1 ¹³ / ₁₆ " | 180 | 1½" F NPT | 1½" F NPT | 600 | 109 | 4 |
| 1185-2528 | 1½" | 2 ¹ / ₁₆ " | 150 | 1¼" | 1 ¹³ / ₁₆ " | 200 | 1½" F NPT | 1½" F NPT | 600 | 122 | 5 |
| 1185-3324 | 1½" | 2 ¹ / ₁₆ " | 175 | 1¼" | 1 ¹³ / ₁₆ " | 225 | 1½" F NPT | 1½" F NPT | 600 | 154 | 6 |
| 1185-3328 | 1½" | 2 ¹ / ₁₆ " | 250 | 1¼" | 1 ¹³ / ₁₆ " | 325 | 1½" F NPT | 1½" F NPT | 600 | 169 | 7 |

1195 SERIES

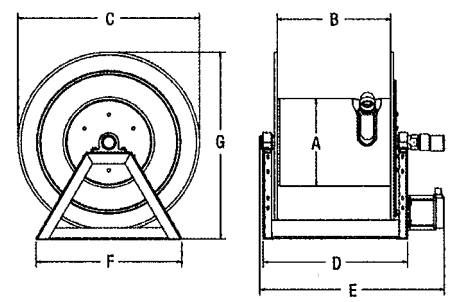
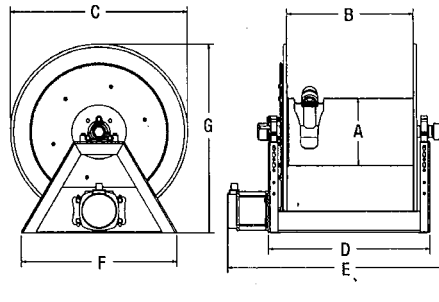
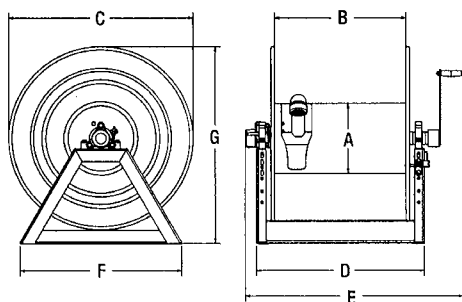
| MODEL | STANDARD CAP. | | | OPTIONAL CAP* | | | INLET SWIVEL ASSEMBLY | OUTLET RISER | PSI | APRX. LBS. | SIZE INDEX |
|-----------|---------------|----------------------------------|-----|---------------|----------------------------------|-----|-----------------------|--------------|-----|------------|------------|
| | I.D. | O.D. | FT. | I.D. | O.D. | FT. | | | | | |
| 1195-932 | 2" | 2 ⁹ / ₁₆ " | 50 | 1½" | 2 ¹ / ₁₆ " | 60 | 2" F NPT | 2" F NPT | 600 | 128 | 8 |
| 1195-1332 | 2" | 2 ⁹ / ₁₆ " | 75 | 1½" | 2 ¹ / ₁₆ " | 100 | 2" F NPT | 2" F NPT | 600 | 148 | 9 |
| 1195-2032 | 2" | 2 ⁹ / ₁₆ " | 115 | 1½" | 2 ¹ / ₁₆ " | 150 | 2" F NPT | 2" F NPT | 600 | 186 | 10 |
| 1195-1728 | 2" | 2 ⁹ / ₁₆ " | 60 | 1½" | 2 ¹ / ₁₆ " | 85 | 2" F NPT | 2" F NPT | 600 | 134 | 11 |
| 1195-2428 | 2" | 2 ⁹ / ₁₆ " | 90 | 1½" | 2 ¹ / ₁₆ " | 135 | 2" F NPT | 2" F NPT | 600 | 169 | 12 |
| 1195-3228 | 2" | 2 ⁹ / ₁₆ " | 125 | 1½" | 2 ¹ / ₁₆ " | 175 | 2" F NPT | 2" F NPT | 600 | 218 | 13 |

| SIZE INDEX | A | B | C | D | CRANK | ELEC. | AIR | F | G |
|------------|------|------|-----|-----------------------------------|-----------------------------------|------------------------------------|------------------------------------|-----------------------------------|------|
| | | | | | E | E | E | | |
| 1 | 10½" | 11½" | 24" | 17 ¹ / ₁₆ " | 24 ¹ / ₁₆ " | 26 ³ / ₁₆ " | 24 ⁵ / ₁₆ " | 22 ³ / ₁₆ " | 25" |
| 2 | 10½" | 5½" | 24" | 21 ¹ / ₁₆ " | 28 ¹ / ₁₆ " | 30 ³ / ₁₆ " | 28 ⁵ / ₁₆ " | 22 ³ / ₁₆ " | 25" |
| 3 | 10½" | 20" | 24" | 25 ⁹ / ₁₆ " | 32 ⁹ / ₁₆ " | 34 ¹¹ / ₁₆ " | 32 ¹³ / ₁₆ " | 22 ³ / ₁₆ " | 25" |
| 4 | 10½" | 20" | 28" | 25 ⁹ / ₁₆ " | 32 ⁹ / ₁₆ " | 34 ¹¹ / ₁₆ " | 32 ¹³ / ₁₆ " | 24½" | 29" |
| 5 | 10½" | 25" | 28" | 30 ⁹ / ₁₆ " | 37 ⁹ / ₁₆ " | 39 ¹¹ / ₁₆ " | 37 ¹³ / ₁₆ " | 22 ³ / ₈ " | 29" |
| 6 | 10½" | 33" | 24" | 38 ⁹ / ₁₆ " | 45 ⁹ / ₁₆ " | 47 ¹¹ / ₁₆ " | 45 ¹³ / ₁₆ " | 24½" | 25" |
| 7 | 10½" | 33" | 28" | 38 ⁹ / ₁₆ " | 45 ⁹ / ₁₆ " | 47 ¹¹ / ₁₆ " | 45 ¹³ / ₁₆ " | 24½" | 29" |
| 8 | 15½" | 9½" | 32" | 15 ¹ / ₈ " | 20" | 20" | 20" | 25 ⁵ / ₈ " | 33¼" |
| 9 | 15½" | 13½" | 32" | 19 ¹ / ₈ " | 24" | 24" | 24" | 25 ⁵ / ₈ " | 33¼" |
| 10 | 15½" | 20" | 32" | 25 ⁵ / ₈ " | 30½" | 30½" | 30½" | 25 ⁵ / ₈ " | 33¼" |
| 11 | 15½" | 17½" | 28" | 23 ¹ / ₈ " | 28" | 28" | 28" | 24½" | 30¼" |
| 12 | 15½" | 24" | 28" | 29 ⁵ / ₈ " | 34½" | 34½" | 34½" | 24½" | 30¼" |
| 13 | 15½" | 32" | 28" | 37 ⁵ / ₈ " | 42½" | 42½" | 42½" | 24½" | 30¼" |

1185 HAND CRANK

1185 MOTORISED

1195 MOTORISED



12.4 STAINLESS STEEL HOSE REELS

SS SERIES STAINLESS STEEL REELS

MODEL P-SS LOW PRESSURE

| WITH HOSE | | | DESCRIPTION | | | WITHOUT HOSE | | |
|--|--------|-------|-------------|--------|------------|--------------|--------|------------|
| MODEL | WEIGHT | PRICE | I.D. | LENGTH | W.P. (PSI) | MODEL | WEIGHT | PRICE |
| Please Contact Our Branch For Reels With Hose | | | 3/8" | 35' | 300 | P-LPL-335-SS | 18 | \$1,725.00 |
| | | | 1/2" | 25' | 300 | P-LPL-425-SS | 18 | \$1,725.00 |

MODEL SH-SS & TSH-SS LOW PRESSURE

| WITH HOSE | | | DESCRIPTION | | | WITHOUT HOSE | | |
|--|--------|-------|-------------|--------|------------|----------------|--------|------------|
| MODEL | WEIGHT | PRICE | I.D. | LENGTH | W.P. (PSI) | MODEL | WEIGHT | PRICE |
| Please Contact Our Branch For Reels With Hose | | | 3/8" | 50' | 300 | SHL-N-350-SS | 25 | \$2,931.00 |
| | | | 1/2" | 50' | 300 | SHL-N-450-SS | 27 | \$2,881.00 |
| | | | 3/4" | 25' | 300 | SHL-N-525-SS | 29 | \$2,881.00 |
| | | | 1/2" | 100' | 300 | TSHL-N-4100-SS | 37 | \$6,318.00 |
| | | | 3/4" | 50' | 300 | TSHL-N-550-SS | 35 | \$4,633.00 |

MODEL MP-SS MEDIUM PRESSURE

| WITH HOSE | | | DESCRIPTION | | | WITHOUT HOSE | | |
|--|--------|-------|-------------|--------|------------|--------------|--------|------------|
| MODEL | WEIGHT | PRICE | I.D. | LENGTH | W.P. (PSI) | MODEL | WEIGHT | PRICE |
| Please Contact Our Branch For Reels With Hose | | | 3/8" | 50' | 3000 | MPL-N-350-SS | 28 | \$3,177.00 |
| | | | 1/2" | 50' | 2500 | MPL-N-450-SS | 28 | \$3,177.00 |

SERIES P, MP & SH

