

TYPHOON TOOLS

FULL STRENGTH. GUARANTEED.



2016 PRODUCT UPDATE

DUAL WAY TORQUE WRENCH

MATTE FINISHED, 48 TOOTH GEAR, $\pm 4\%$ ACCURACY, CLOCKWISE AND COUNTERCLOCKWISE CLICK.



73100. **1/4" DUAL WAY TORQUE WRENCH**

- Main Torque Range: 5-25 N-m
- Second Torque Range: 39.8-225.7 In-lb
- Fine Scale: 0.1 N-m

73105. **3/8" DUAL WAY TORQUE WRENCH**

- Main Torque Range: 20-100 N-m
- Second Torque Range: 9.2-75.6 Ft-lb
- Fine Scale: 0.1 N-m

73110. **1/2" DUAL WAY TORQUE WRENCH**

- Main Torque Range: 40-200 N-m
- Second Torque Range: 18.4-151.2 Ft-lb
- Fine Scale: 1 N-m

73115. **3/4" DUAL WAY TORQUE WRENCH**

- Main Torque Range: 150-750 N-m
- Second Torque Range: 92.2-571.6 Ft-lb
- Fine Scale: 5 N-m

73120. **1" DUAL WAY TORQUE WRENCH**

- Main Torque Range: 150-750 N-m
- Second Torque Range: 92.2-571.6 Ft-lb
- Fine Scale: 5 N-m

70018.

3/4" DRIVE RATCHET

- 3/4" Drive
- 490mm Overall length



IMPERIAL RATCHET RING SPANNERS

70080.	5/16"
70081.	3/8"
70082.	7/16"
70083.	1/2"
70084.	9/16"
70085.	5/8"
70086.	11/16"
70087.	3/4"



70119.

5M EXTENSION CORD

- 5m
- 10amp Plug & Pin
- 15amp Cable
- Grey



FLOGGING SPANNERS METRIC

74024.	24mm	74100.	100mm
74027.	27mm	74105.	105mm
74030.	30mm	74110.	110mm
74032.	32mm	74115.	115mm
74036.	36mm	74120.	120mm
74041.	41mm	74125.	125mm
74046.	46mm	74130.	130mm
74050.	50mm	74135.	135mm
74055.	55mm	74140.	140mm
74060.	60mm	74145.	145mm
74065.	65mm	74150.	150mm
74070.	70mm	74155.	155mm
74075.	75mm	74160.	160mm
74080.	80mm	74165.	165mm
74085.	85mm	74170.	170mm
74090.	90mm	74175.	175mm
74095.	95mm	74180.	180mm



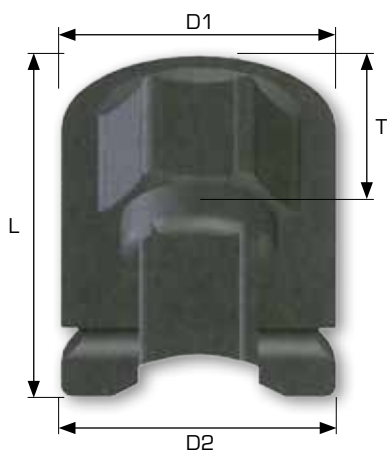
FLOGGING SPANNERS IMPERIAL

74200.	15/16"	74270.	1-7/8"
74205.	1"	74275.	2"
74210.	1-1/16"	74280.	2-1/16"
74215.	1-1/8"	74285.	2-1/8"
74220.	1-3/16"	74290.	2-3/16"
74225.	1-1/4"	74295.	2-1/4"
74230.	1-5/16"	74300.	2-3/8"
74235.	1-3/8"	74305.	2-7/16"
74240.	1-7/16"	74310.	2-9/16"
74245.	1-1/2"	74315.	2-5/8"
74250.	1-5/8"	74320.	2-3/4"
74255.	1-11/16"	74325.	3"
74260.	1-3/4"	74330.	3-1/8"
74265.	1-13/16"	74335.	3-3/8"

1" DRIVE METRIC STANDARD LENGTH IMPACT SOCKETS, 6-POINT



Type A



Type B



Type C

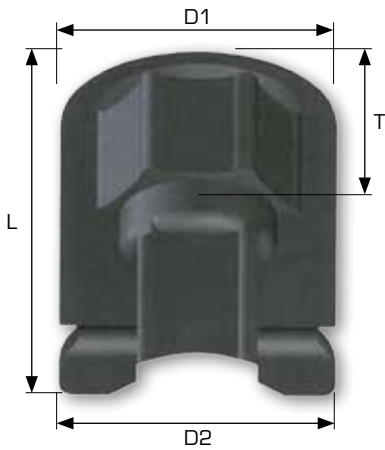
Code	Size	D1	D2	T	L	Type
	(mm)	(mm)	(mm)	Min (mm)	(mm)	
72619	19	35	54	16	58	A
72620	20	36	54	17	58	
72621	21	37.5	54	17	58	
72622	22	39	54	17	58	
72623	23	40	54	17	58	
72624	24	41.5	54	17	58	
72625	25	42.5	54	17	60	
72626	26	44	54	17	60	
72627	27	45	54	17	60	
72628	28	46.5	54	17	60	
72629	29	47.5	54	19	62	
72630	30	49	54	19	62	
72631	31	50	54	19	62	
72632	32	51.5	54	19	63	
72633	33	52.5	54	21	63	
72634	34	54	54	21	90	
72635	35	55	54	21	66	
72636	36	56.5	54	23	66	
72637	37	58	54	23	66	
72638	38	59	54	23	66	
72639	39	60	54	23	66	
72640	40	61	54	23	66	
72641	41	62.5	54	25	68	
72642	42	64	54	25	68	
72643	43	65	54	25	70	
72644	44	66	60.3	25	70	
72645	45	67.5	60.3	25	70	
72646	46	69	60.3	29	72	
72647	47	70	60.3	29	72	
72648	48	71.5	60.3	29	76	
72649	49	73	60.3	29	76	
72650	50	74	60.3	31	76	
72651	51	75	60.3	31	76	
72652	52	76.5	60.3	31	80	
72653	53	78	60.3	31	80	
72654	54	79	60.3	31	80	
72655	55	80	60.3	34	84	
72656	56	81.5	60.3	34	84	
72657	57	82.5	60.3	34	84	
72658	58	84	60.3	34	84	
72659	59	85	60.3	34	88	
72660	60	86.5	60.3	35	88	
72662	62	88	60.3	35	88	
72663	63	90	60.3	35	88	
72665	65	92.5	60.3	35	92	
72667	67	95	60.3	35	92	
72668	68	98	60.3	35	96	
72669	69	98	60.3	35	96	
72670	70	99	60.3	35	96	
72671	71	100	60.3	35	96	
72675	75	105	60.3	35	102	
72677	77	108	60.3	35	102	
72680	80	111.5	60.3	35	102	
72685	85	117.5	86	35	106	
72690	90	124	86	35	108	
72695	95	130	86	35	110	

IMPACT SOCKETS

1" DRIVE IMPERIAL STANDARD LENGTH IMPACT SOCKETS, 6-POINT



Type A



Type B



Type C

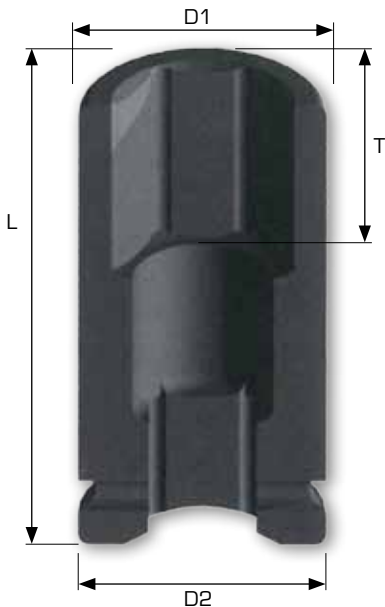
Code	Size	D1	D2	T	L	Type	
	(Inch)	(mm)	(mm)	Min (mm)	(mm)		
72719	11/16	30	54	17	58	A	
72720	3/4	35	54	17	58		
72721	13/16	37.5	54	17	58		
72722	7/8	39	54	17	58		
72723	15/16	40.5	54	17	58		
72724	1	42.5	54	17	60		
72725	1-1/16	44.5	54	17	60		
72726	1-1/8	46	54	17	62		
72727	1-3/16	49	54	17	62		
72728	1-1/4	51.5	54	17	63		
72729	1-5/16	54	54	19	66		B
72730	1-3/8	55	54	19	66		B
72731	1-7/16	56.5	54	19	66		
72732	1-1/2	59	54	22	66		
72733	1-9/16	61	54	22	66		
72734	1-5/8	62.5	54	22	68		
72735	1-11/16	65	54	25	70		
72736	1-3/4	67.5	60.3	25	70		
72737	1-13/16	69	60.3	27	72		
72738	1-7/8	70	60.3	27	72		
72739	1-15/16	72.5	60.3	27	76		
72740	2	74	60.3	27	76		
72741	2-1/16	76.5	60.3	31	80	C	
72742	2-1/8	79	60.3	31	80		
72743	2-3/16	80	60.3	31	84		
72744	2-1/4	82.5	60.3	34	84		
72745	2-5/16	84	60.3	34	84		
72746	2-3/8	86.5	60.3	34	88		
72747	2-7/16	89	60.3	36	88		
72748	2-1/2	91.5	60.3	36	92		
72749	2-9/16	92.5	60.3	38	92		
72750	2-5/8	95	60.3	38	92		
72751	2-11/16	96.5	60.3	38	96		
72752	2-3/4	99	60.3	38	96		
72753	2-13/16	101.5	60.3	41	96		
72754	2-7/8	102.5	60.3	41	96		
72755	2-15/16	104.5	60.3	41	100		
72756	3	106.5	60.3	44	100		
72757	3-1/16	109	60.3	44	100		
72758	3-1/8	111	60.3	44	100		
72759	3-1/4	115	86	44	102		
72760	3-3/8	119	86	49	106		
72761	3-1/2	124	86	49	108		
72762	3-5/8	127	86	53	110		
72763	3-3/4	130	86	53	110		
72764	3-7/8	136	95	56	115		
72765	4	140	95	56	115		
72766	4-1/8	143	95	59	120		
72767	4-1/4	146	95	59	120		
72768	4-3/8	149	95	61	120		
72769	4-1/2	152	95	61	120		

IMPACT SOCKETS

1" DRIVE METRIC DEEP LENGTH IMPACT SOCKETS, 6-POINT



Type A



Type B



Type C

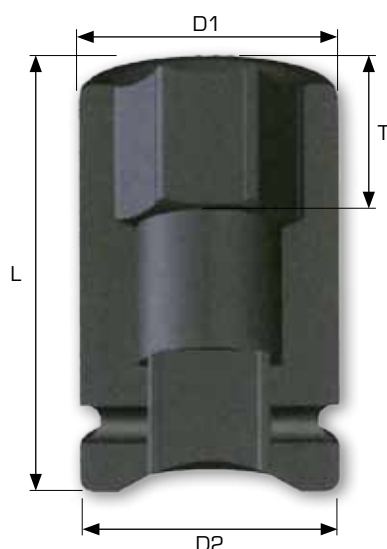
Code	Size	D1	D2	T	L	Type
	(mm)	(mm)	(mm)	Min (mm)	(mm)	
72819	19	35	54	25	90	A
72820	20	36	54	25	90	
72821	21	37.5	54	25	90	
72822	22	39	54	25	90	
72823	23	40	54	25	90	
72824	24	41.5	54	25	90	
72825	25	42.5	54	25	90	
72826	26	44	54	25	90	
72827	27	45	54	25	90	
72828	28	46.5	54	25	90	
72829	29	47.5	54	25	90	
72830	30	49	54	25	90	
72831	31	50	54	25	90	
72832	32	51.5	54	25	90	
72833	33	52.5	54	25	90	
72834	34	54	54	25	90	
72835	35	55	54	25	90	
72836	36	56.5	54	25	90	C
72837	37	58	54	25	90	
72838	38	59	54	25	90	
72839	39	60	54	25	90	
72840	40	61	54	25	90	
72841	41	62.5	54	25	90	
72842	42	64	54	25	90	
72843	43	65	54	25	90	
72844	44	66	60.3	30	100	
72845	45	67.5	60.3	30	100	
72846	46	69	60.3	30	100	
72847	47	70	60.3	30	100	
72848	48	71.5	60.3	30	100	
72849	49	73	60.3	30	100	
72850	50	74	60.3	30	100	
72851	51	75	60.3	30	100	
72852	52	76.5	60.3	30	100	
72853	53	78	60.3	35	100	
72854	54	79	60.3	35	108	
72855	55	80	60.3	35	108	
72856	56	81.5	60.3	35	108	
72857	57	82.5	60.3	35	108	
72858	58	84	60.3	35	108	
72859	59	85	60.3	35	108	
72860	60	86.5	60.3	35	108	
72862	62	88	60.3	35	120	
72863	63	90	60.3	35	120	
72865	65	92.5	60.3	35	120	
72867	67	95	60.3	35	120	
72868	68	96.5	60.3	35	120	
72869	69	98	60.3	35	120	
72870	70	99	60.3	35	125	
72871	71	100	60.3	35	125	
72875	75	105	60.3	35	125	
72877	77	108	60.3	35	125	
72880	80	111.5	60.3	35	125	
72885	85	115	86	35	135	
72890	90	124	86	35	135	
72895	95	130	86	35	140	

IMPACT SOCKETS

1" DRIVE IMPERIAL DEEP LENGTH IMPACT SOCKETS, 6-POINT



Type A



Type B



Type C

Code	Size	D1	D2	T	L	Type	
	(Inch)	(mm)	(mm)	Min (mm)	(mm)		
72919	11/16	30	54	25	90	A	
72920	3/4	35	54	25	90		
72921	13/16	37	54	25	90		
72922	7/8	39	54	25	90		
72923	15/16	40.5	54	25	90		
72924	1	42.5	54	25	90		
72925	1-1/16	44.5	54	25	90		
72926	1-1/8	46	54	25	90		
72927	1-3/16	49	54	25	90		
72928	1-1/4	51.5	54	25	90		
72929	1-5/16	54	54	25	90		B
72930	1-3/8	55	54	25	90		B
72931	1-7/16	56.5	54	25	90		
72932	1-1/2	59	54	25	90		
72933	1-9/16	61	54	25	90		
72934	1-5/8	62.5	54	25	90		
72935	1-11/16	65	54	25	90		
72936	1-3/4	67.5	60.3	31	100		
72937	1-13/16	69	60.3	31	100		
72938	1-7/8	70	60.3	31	100		
72939	1-15/16	72.5	60.3	31	100		
72940	2	74	60.3	31	100		
72941	2-1/16	76.5	60.3	31	100		
72942	2-1/8	79	60.3	31	108		
72943	2-3/16	80	60.3	31	108		
72944	2-1/4	82.5	60.3	36	108		
72945	2-5/16	84	60.3	36	108		
72946	2-3/8	86.5	60.3	36	108		
72947	2-7/16	89	60.3	36	108		
72948	2-1/2	91.5	60.3	36	120		
72949	2-9/16	92.5	60.3	36	120		
72950	2-5/8	95	60.3	44	120		
72951	2-11/16	96.5	60.3	44	120		
72952	2-3/4	99	60.3	44	125		
72953	2-13/16	101.5	60.3	44	125		
72954	2-7/8	102.5	60.3	44	125		
72955	2-15/16	104.5	60.3	44	125		
72956	3	106.5	60.3	44	125		
72957	3-1/16	109	60.3	44	125		
72958	3-1/8	111.5	60.3	44	125		
72959	3-1/4	115	86	44	135		
72960	3-3/8	119	86	56	135		
72961	3-1/2	124	86	56	135		
72962	3-5/8	127	86	56	140		
72963	3-3/4	130	86	56	140		
72964	3-7/8	136	95	56	140		
72965	4	140	95	56	155		
72966	4-1/8	143	95	61	155		
72967	4-1/4	146	95	61	155		
72968	4-3/8	149	95	61	155		
72969	4-1/2	152	95	61	155		

IMPACT SOCKETS

1" DRIVE IMPACT EXTENSION

72466.	75mm
72467.	180mm
72468.	250mm
72469.	330mm



72470.

1" DRIVE IMPACT SOCKET UNIVERSAL JOINT

- Length 114mm
- Max ft/lbs rating 700Nm



1-1/2" DRIVE METRIC STANDARD LENGTH IMPACT SOCKETS, 6-POINT



Type A



Type C

Code	Size	D1	D2	T	L	Type
	(mm)	(mm)	(mm)	Min (mm)	(mm)	
72550	30	56	86	21	78	A
72551	32	58	86	22	78	
72552	36	64	86	24	78	
72553	41	70	86	28	80	
72554	46	76	86	30	84	
72555	50	81	86	32	87	
72556	55	87	86	37	90	C
72557	60	94	86	39	95	
72558	65	100	86	42	100	
72559	70	106	86	46	105	
72560	75	112	86	49	108	
72562	85	125	86	56	118	
72563	90	131	86	59	123	
72564	95	137	95	61	123	
72565	100	144	95	65	130	
72566	105	154	95	68	130	
72567	110	157	95	72	135	
72568	115	164	95	77	140	
72571	130	184	127	80	145	
72572	135	194	127	85	150	

1-1/2" DRIVE IMPERIAL STANDARD LENGTH IMPACT SOCKETS, 6-POINT



Type A



Type C

Code	Size	D1	D2	T	L	Type
	(Inch)	(mm)	(mm)	Min (mm)	(mm)	
72580	1-1/4	58	86	21	78	A
72581	1-1/2	66	86	26	80	
72582	1-3/4	75	86	30	84	
72583	1-13/16	76	86	30	84	
72584	2	82	86	32	87	
72585	2-1/16	83	86	34	87	
72586	2-3/16	88	86	37	90	C
72587	2-5/16	93	86	39	95	
72588	2-7/16	96	86	42	100	
72589	2-9/16	100	86	42	100	
72590	2-11/16	104	86	46	105	
72591	3	113	86	49	108	
72592	3-3/8	126	86	56	118	
72593	3-1/2	129	86	59	123	

STORAGE

70831. 70832.

6 DRAWER DEEP TOOLCHEST – SERIES 2

- Dimensions 720 (w) x 460 (d) x 450 (h) mm
- Weight 37.0 kgs



70832.

AVAILABLE
IN BLACK &
GREEN



70831.

70823Y.

YELLOW 48" SITE BOX

- 1215 x 610 x 605mm
- 61.5 kgs

+ GAS
STRUTS



STORAGE

70833. 70834.

7 DRAWER ROLLER CABINET – SERIES 2

- Dimensions 720 (w) x 460 (d) x 1100 (h) mm including castors
- Weight 64.5 kgs



70833.

**AVAILABLE
IN BLACK &
GREEN**



70834.

70835. 70836.

12 DRAWER ROLLAWAY WAGON – SERIES 2

- Dimensions 1070 (h) x 460 (d) x 1040 (h) mm including castors
- Weight 105.0 kgs



70836.

**AVAILABLE
IN BLACK &
GREEN**



70835.

STORAGE

70860.

3 DRAWER UTE BOX WHITE

- Dimensions 700 (h) x 400 (d) x 585 (h) mm
- Friction slides
- Weight 59.0 kgs



TOOL KITS

70981.

170PCE IMPERIAL & METRIC TOOLKIT IN UTE BOX

- 1/2" Drive socket set 8-32mm & 3/8" - 1-1/4"
- 8pce Metric ratchet spanner set
- 8pce AF ratchet spanner set
- 28pce AF & Metric combination spanner set 7-21mm & 1/4" - 1"
- 5pce Plier set
- 12" & 16" Multigrips
- 33pce Screwdriver & bit set
- 6" & 12" Adjustable Wrench
- 8" Bolt cutters
- 9pce AF & 9pce Metric Allen key sets
- 16oz & 32oz Hammer
- 12pce Punch & Chisel set
- 8m Tape measure
- 3 Drawer White Ute box 700 x 400 x 585
- Total Weight approx 85.0 kgs

*contents may vary due to availability. Image for illustration purposes only



70970B. 70970G.

6 DRAWER, 188PCE AF & METRIC TOOLKIT

- 43pce 1/2" drive socket set 8-32mm & 3/8" - 1-1/4"
- 45pce 1/4" & 3/8" drive socket set 4-18mm & 3/16" - 3/4"
- 28pce Combination spanner set 7-21mm & 1/4" - 1"
- Foam inserts
- 10" Adjustable wrench
- 16oz hammer
- 33pce Screwdriver & bit set
- 30pce Hex key set
- 5pce Plier set
- 300mm Hacksaw
- 6 Drawer deep toolchest Black 720 x 460 x 450mm



70970G.



70970B.

70973B.

13 DRAWER, 398PCE AF & METRIC TOOLKIT – BLACK

- 43pce 1/2" drive socket set 8-32mm & 3/8" – 1-1/4"
- 45pce 1/4" & 3/8" drive socket set 4-18mm & 3/16" – 3/4"
- 26pce 3/4" drive AF & Metric socket set 22 – 50mm & 7/8" – 2"
- 28pce Combination spanner set 7-21mm & 1/4" – 1"
- 16pce AF & Metric Ratchet spanner sets
- 6", 8" & 12" Adjustable wrench
- 16oz hammer
- 33pce Screwdriver & bit set
- 42pce Hex bit set
- 30pce Hex key set
- 110pce Tap & Die set
- 12pce Punch & Chisel set
- 5pce Plier set
- 300mm Hacksaw
- 5 x Foam inserts to suit
- 6 Drawer deep Toolchest Black 720 x 460 x 450mm
- 7 Drawer Rollcabinet Black 720 x 460 x 1100mm

**ALSO
AVAILABLE
IN GREEN**

70973G



70973B.

70974G.

13 DRAWER, 262PCE AF & METRIC TOOLKIT – BLACK

- 43pce 1/2" drive socket set 8-32mm & 3/8" – 1-1/4"
- 45pce 1/4" & 3/8" drive socket set 4-18mm & 3/16" – 3/4"
- 28pce Combination spanner set 7-21mm & 1/4" – 1"
- 18pce AF & Metric Ratchet spanners
- 6", 8" & 12" Adjustable wrench
- 16oz Hammer
- 33pce Screwdriver & bit set
- 42pce Hex bit set
- 30pce Hex key set
- 12pce Punch & Chisel set
- 5pce Plier set
- 300mm Hacksaw
- 5 x Foam inserts to suit
- 6 Drawer deep Toolchest Black 720 x 460 x 450mm
- 7 Drawer Rollcabinet Black 720 x 460 x 1100

+ GAS STRUTS

ALSO AVAILABLE IN BLACK

70974B



70974G.

70975B. 70975G.

6 DRAWER, 268PCE AF & METRIC TOOLKIT

- 43pce 1/2" drive socket set 8-32mm & 3/8" – 1-1/4"
- 45pce 1/4" & 3/8" drive socket set 4-18mm & 3/16" – 3/4"
- 33pce Combination spanner set 7-30mm & 1/4" – 1"
- 16pce AF & Metric Ratchet spanners
- 6", 8" & 12" Adjustable wrench
- 16oz Hammer
- 33pce Screwdriver & bit set
- 42pce Hex bit set
- 30pce Hex key set
- 12pce Punch & Chisel set
- 5pce Plier set
- 300mm Hacksaw
- 350mm Steel pipe wrench
- 5 x Foam inserts to suit
- 6 Drawer deep Toolchest Black 720 x 460 x 450mm



+ GAS STRUTS

ALSO AVAILABLE IN GREEN
70975G

70975B.

70976G. 70976B.

6 DRAWER, 219PCE AF & METRIC TOOLKIT

- 43pce 1/2" drive socket set 8-32mm & 3/8" – 1-1/4"
- 45pce 1/4" & 3/8" drive socket set 4-18mm & 3/16" – 3/4"
- 33pce Combination spanner set 7-32mm & 1/4" – 1"
- 20pce AF & Metric Ratchet spanners
- 6", 8" & 12" Adjustable wrench
- 12oz & 16oz Hammer
- 4lb Club hammer
- 33pce Screwdriver & bit set
- 42pce Hex bit set
- 18pce Hex key set – Ball end
- 12pce Punch & Chisel set
- 5pce Plier set
- 12" & 16" Multigrips
- Set of 4 180mm Circlip pliers
- 300mm Hacksaw
- 8m Tape measure
- 8" Mini bolt cutters
- 5 x Foam inserts to suit
- 6 Drawer deep Toolchest Green 720 x 460 x 450mm



ALSO AVAILABLE IN BLACK
70976B

70976G.

TOOL KITS

70985G. 70985B.

6 DRAWER, 218PCE AF & METRIC TOOLKIT

- 43pce 1/2" drive socket set 8-32mm & 3/8" – 1-1/4"
- 45pce 1/4" & 3/8" drive socket set 4-18mm & 3/16" – 3/4"
- 31pce Combination spanner set 7-32mm & 1/4" – 1"
- 18pce AF & Metric Ratchet spanners
- 6", 8" & 12" Adjustable wrench
- 24oz Hammer
- 4lb Club hammer
- 33pce Screwdriver & bit set
- 42pce Hex bit set
- 18pce Hex key set – Ball end
- 12pce Punch & Chisel set
- 5pce Plier set
- 12" & 16" Multigrips
- 6 x Foam inserts to suit
- 6 Drawer deep Toolchest Green 720 x 460 x 450mm



70980G. 70980B.

12 DRAWER, 414PCE AF & METRIC TOOLKIT IN SUPER WIDE WAGON

- 43pce 1/2" drive socket set 8-32mm & 3/8" – 1-1/4"
- 45pce 1/4" & 3/8" drive socket set 4-18mm & 3/16" – 3/4"
- 26pce 3/4" drive AF & Metric socket set
- 39pce Combination spanner set 7-36mm & 1/4" – 1-1/2"
- 19pce AF & Metric Ratchet spanners
- 6", 8", 12" & 18" Adjustable wrench
- 16oz Hammer
- 110pce Tap & Die set
- 33pce Screwdriver & bit set
- 42pce Hex bit set
- 30pce Hex key set
- 12pce Punch & Chisel set
- 5pce Plier set
- 450mm Bolt cutters
- 450mm Pipe wrench
- 300mm Hacksaw
- 3 x Foam inserts to suit
- 12 Drawer Roller Wagon 1070 x 460 x 1040 (h)

